



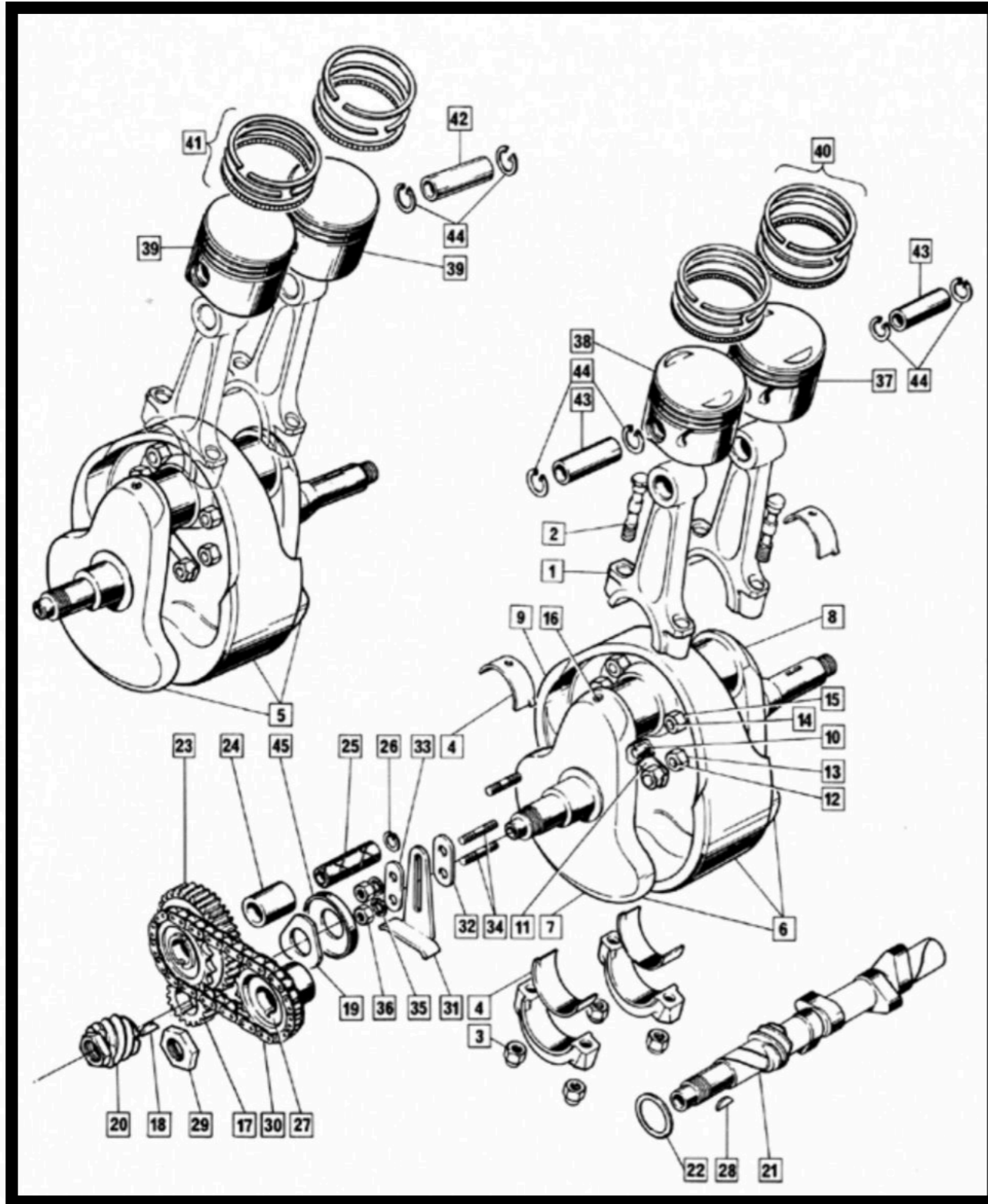
# NORTON COMMANDO

## Parts Catalogue Index

HEADING	ILLUSTRATION	PAGE
Engine	Crankshaft, Connecting Rods, Pistons, Camshaft & Timing Gear	1
Engine	Cylinder & Cylinder Head (750-850)	2
Valve Gear	Valve Gear	3
Engine	Contact Breaker, Timing Cover, Oil Pump & Oil Pressure Relief Valve	4
850 Engine	Crankcases, Filter, Breather & Tachometer Drive	5
Gearbox	Shell, Gear Cluster, Mounting Bolts, Adjuster & Countershaft Sprockets	6
Gearbox	Inner Cover	7
Gearbox	Outer Cover, Kickstart & Gearshift Lever	8
Drive	Chaincases, Chains, Sprockets, Clutch & Alternator	9
Carburettor	Carburettor & Carburettor Pieces	10
Carburettor	Carburettor Mountings, Air Filter & Fuel Lines	11
Engine Mounting	Engine Mountings, Head Steady & Centre Stand	12
Frame & Suspension	Frame, Swinging Arm & Suspension Units	13
Rear Brake & Riders Foot Pegs	Support Plates, Riders Foot Pegs, Rear Brake, Pedal & Linkage	14
Oil Tank & Pipes	Oil Tank, Oil Pipes, Junction Block, Rear Chain Oiler & Full Flow Oil Filter	15
Front Forks	Roadholder Front Forks, Steering Lock & Steering Head Bearings	16
Front Wheel & Brake	Front Wheel & Brake	17
Rear Wheel	Rear Wheel, Drum & Bearings	18
Rear Brake Hydraulic System	Hydraulic System Rear Brake	19
Controls	Controls & Control Cables	20
Handlebars & Master Cylinder	Handlebars, Disc Brake Master Cylinder & Hose Group	21
Exhausts & Rear Foot Pegs	Exhausts, Muffler, Mutes & Passenger Foot Pegs	22
Front Fender & Seats	Front Fender, Number Plate & Seats	23
Rear Fender & Tail Section	Rear Fender, Tail Light & Tail Section	24
Fuel Tanks	Fuel Tanks	25
Electrical Components	Basic Electrical Components	26
Head Lights & Fittings	Head Lights & Head Light Fittings	27
Batteries & Indicators	Batteries, Battery Trays & Direction Indicators	28
Instruments & Horns	Instruments & Horns	29
Service Tools	Norton Commando Service Tool images	30

# ENGINE

# Illustration Reference

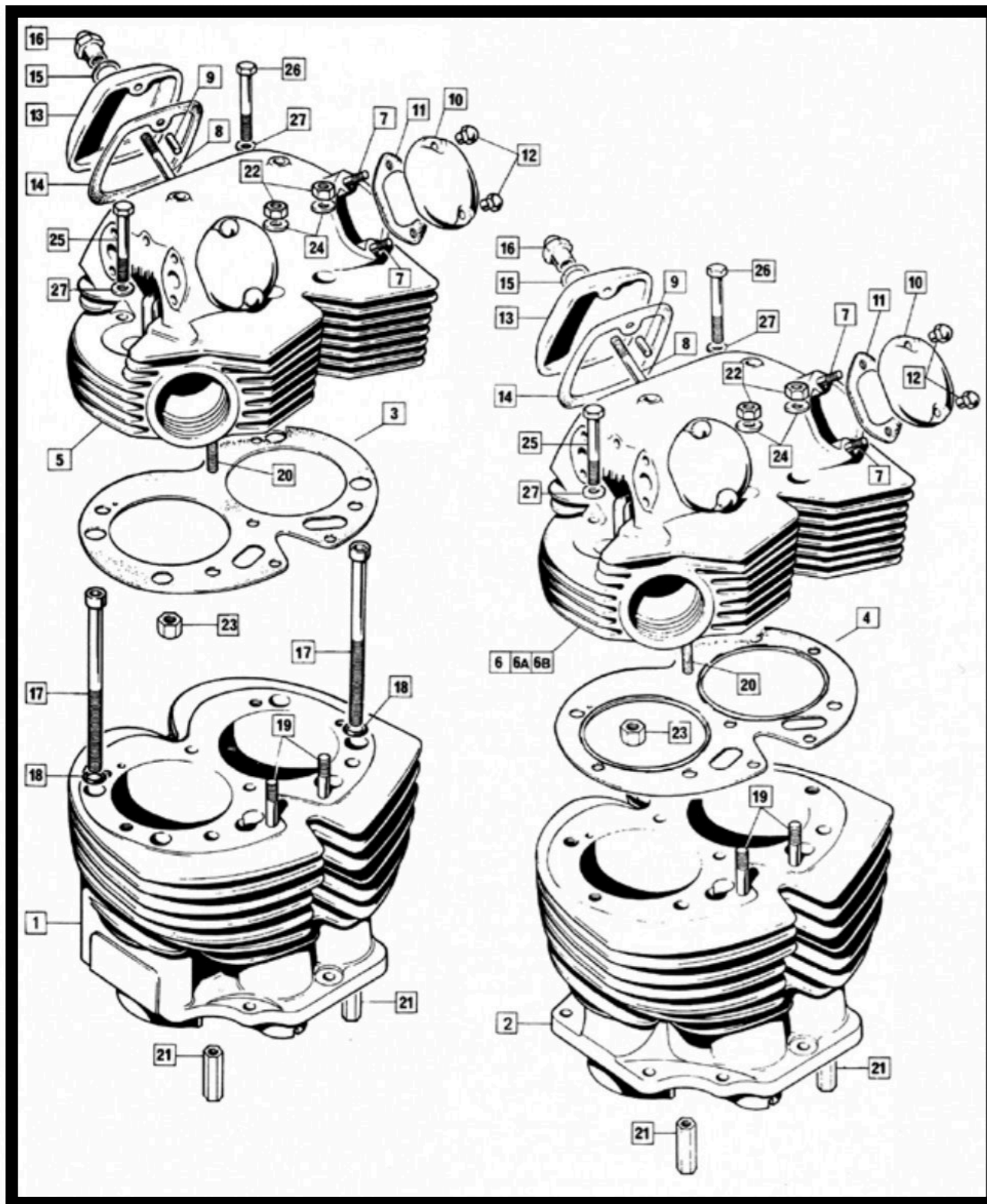


Crankshaft, Connecting Rods, Pistons, Camshaft & Timing Gear

Description	Model	OEM Part No.	Wassell Part No.
1 Connecting rod 'H' beam Hepolite	750/850	06-4896	WW61594
1 Connecting rod R&R billet (USA made)	750/850	06-4896	WW61381
2 Connecting rod bolt (ARP to fit R&R con rod USA made)	750/850		WW61387
2 Connecting rod bolt (to fit OEM con rod UK made)	750/850	06-6486	WW26244
3 Connecting rod nut (to fit OEM rod bolt UK made)	750/850	06-7827	WW26338
4 Shell bearing set STD size (King bearings USA)	750/850	06-4295	WW91239
4 Shell bearing set -010 size (King bearings USA)	750/850	06-4286	WW91240
4 Shell bearing set -020 size (King bearings USA)	750/850	06-4287	WW91241
4 Shell bearing set -030 size (King bearings USA)	750/850	06-4288	WW91280
4 Shell bearing set -040 size (King bearings USA)	750/850	06-4289	WW91281
21 Camshaft STD profile (Hepolite billet UK made)	750/850	06-1084	WW28783
21 Camshaft 2S profile (Hepolite billet UK made)	750/850	06-3536	WW28784
21 Camshaft 4S profile (Hepolite billet UK made)	750/850	06-4858	WW28785
30 Camshaft chain (38 link Regina endless)	750/850	06-7689	WW92080R
30 Contact breaker chain early 750 with distributor type CB	750	06-7705	WW92061R
38 Piston set 750 STD (Hepolite 19145 with UK ring set)	750	06-7055	WW97033P
38 Piston set 750 +020 (Hepolite 19145 with UK ring set)	750	06-7056	WW97076P
38 Piston set 750 +040 (Hepolite 19145 with UK ring set)	750	06-7057	WW97078P
38 Piston set 750 +060 (Hepolite 19145 with UK ring set)	750	06-7110	WW97079P
39 Piston set 850 STD (Hepolite 19342 with UK ring set)	850	06-3838	WW97311P
39 Piston set 850 +020 (Hepolite 19342 with UK ring set)	850	06-4041	WW97312P
39 Piston set 850 +040 (Hepolite 19342 with UK ring set)	850	06-4042	WW97313P
39 Piston set 850 +060 (Hepolite 19342 with UK ring set)	850	06-4043	WW97314P
40 Piston ring set 750 STD (Hepolite UK R26260)	750	06-7058	WW97033R
40 Piston ring set 750 +020 (Hepolite UK R26260)	750	06-7060	WW97076R
40 Piston ring set 750 +040 (Hepolite UK R26260)	750	06-7062	WW97078R
40 Piston ring set 750 +060 (Hepolite UK R26260)	750	06-7123	WW97079R
41 Piston ring set 850 STD (Hepolite UK R26730)	850	06-7958	WW97311R
41 Piston ring set 850 +020 (Hepolite UK R26730)	850	06-7960	WW97312R
41 Piston ring set 850 +040 (Hepolite UK R26730)	850	06-7225	WW97313R
41 Piston ring set 850 +060 (Hepolite UK R26730)	850	06-7226	WW97314R
44 Piston circlip for Hepolite pistons	750/850	06-7834	WW97365

# ENGINE

# Illustration Reference

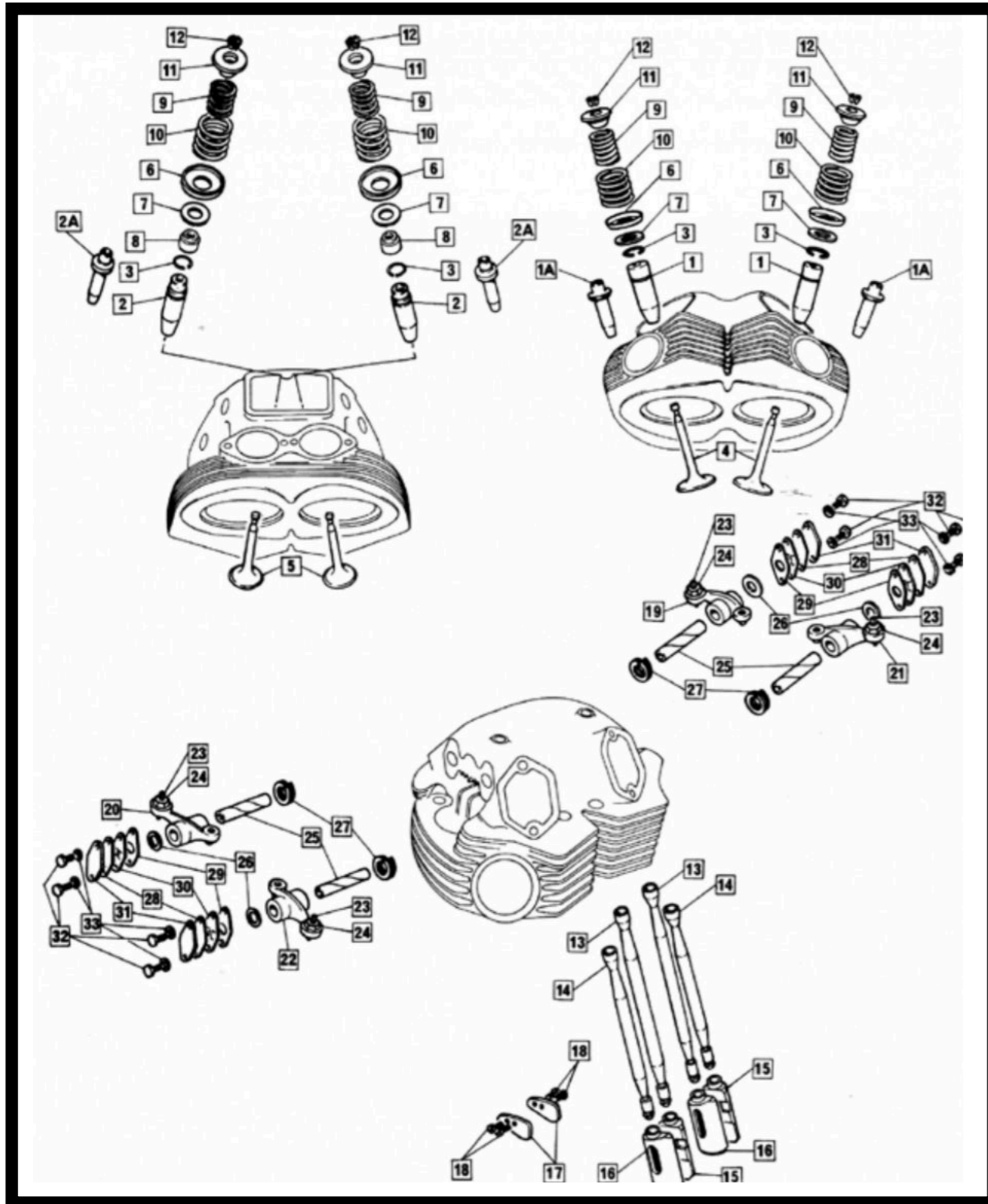


Cylinder & Cylinder Head (750/850)

Description	Model	OEM Part No.	Wassell Part No.
<b>3</b> Cylinder head gasket 750 copper (Uk made)	750	06-4071	<b>WW94043</b>
<b>4</b> Cylinder head gasket 850 copper (Uk made)	850	06-5051	<b>WW94056</b>
<b>7</b> Exhaust Rocker cap stud (supplied in stainless fixing kit)	750/850	06-7582	<b>WW28209 kit</b>
<b>8</b> Inlet Rocker cap stud (supplied in stainless fixing kit)	750/850	06-7693	<b>WW28209 kit</b>
<b>10</b> Exhaust rocker cover (supplied as set of 3 06-7694/5)	750/850	06-7694	<b>WW61565 Kit</b>
<b>11</b> Rocker cover gasket (see gasket sets)	750/850	06-7554	
<b>12</b> Rocker dome nut (supplied in stainless fixing kit)	750/850	06-7552	<b>WW28209 kit</b>
<b>13</b> Inlet rocker cover (supplied as set of 3 06-7694/95)	750/850	06-7695	<b>WW61565 Kit</b>
<b>14</b> Rocker cover gasket (see gasket sets)	750/850	06-7551	
<b>16</b> Rocker dome nut (supplied in stainless fixing kit)	750/850	06-7562	<b>WW28209 kit</b>
<b>19</b> Cylinder head stud (part of stainless head bolt kit)	750/850	06-7561	<b>WW27243 kit</b>
<b>20</b> Cylinder head stud (part of stainless head bolt kit)	750/850	06-7885	<b>WW27243 kit</b>
<b>21</b> Cylinder head sleeve nut (part of stainless head bolt kit)	750/850	06-3192	<b>WW27243 kit</b>
<b>22</b> Cylinder head nut (part of stainless head bolt set)	750/850	06-7529	<b>WW27243 kit</b>
<b>23</b> Cylinder base/head nut thin wall 26TPI threads	750/850	06-7870	<b>WW26647</b>
<b>24</b> Plain washer (part of stainless head bolt kit)	750/850	60-2331	<b>WW27243 kit</b>
<b>25</b> Cylinder head bolt (part of stainless head bolt set)	750/850	06-0401	<b>WW27243 kit</b>
<b>26</b> Cylinder head bolt (part of stainless head bolt set)	750/850	06-7918	<b>WW27243 kit</b>
<b>27</b> Plain washer (part of stainless head bolt kit)	750/850	01-6213	<b>WW27243 kit</b>
750cc Cylinder liner (UK manufactured)	750	05-0019	<b>WW60125</b>
850cc Cylinder liner (UK manufactured)	850	05-0017	<b>WW60124</b>
750CC Complete gasket set (copper head UK made)	750	06-3608	<b>WW94181</b>
750CC top set (copper head UK made)	750	06-0911	<b>WW94182</b>
850CC MK1/2 Complete gasket set (copper head UK made)	850	06-5030	<b>WW94183</b>
850CC MK1/2 top set (copper head UK made)	850	06-6093	<b>WW94184</b>
850CC MK3 Complete set (copper head UK made)	850	06-8099	<b>WW94288</b>
850CC MK3 top set (copper head UK made)	850	06-6093	<b>WW94289</b>

# VALVE GEAR

# Illustration Reference

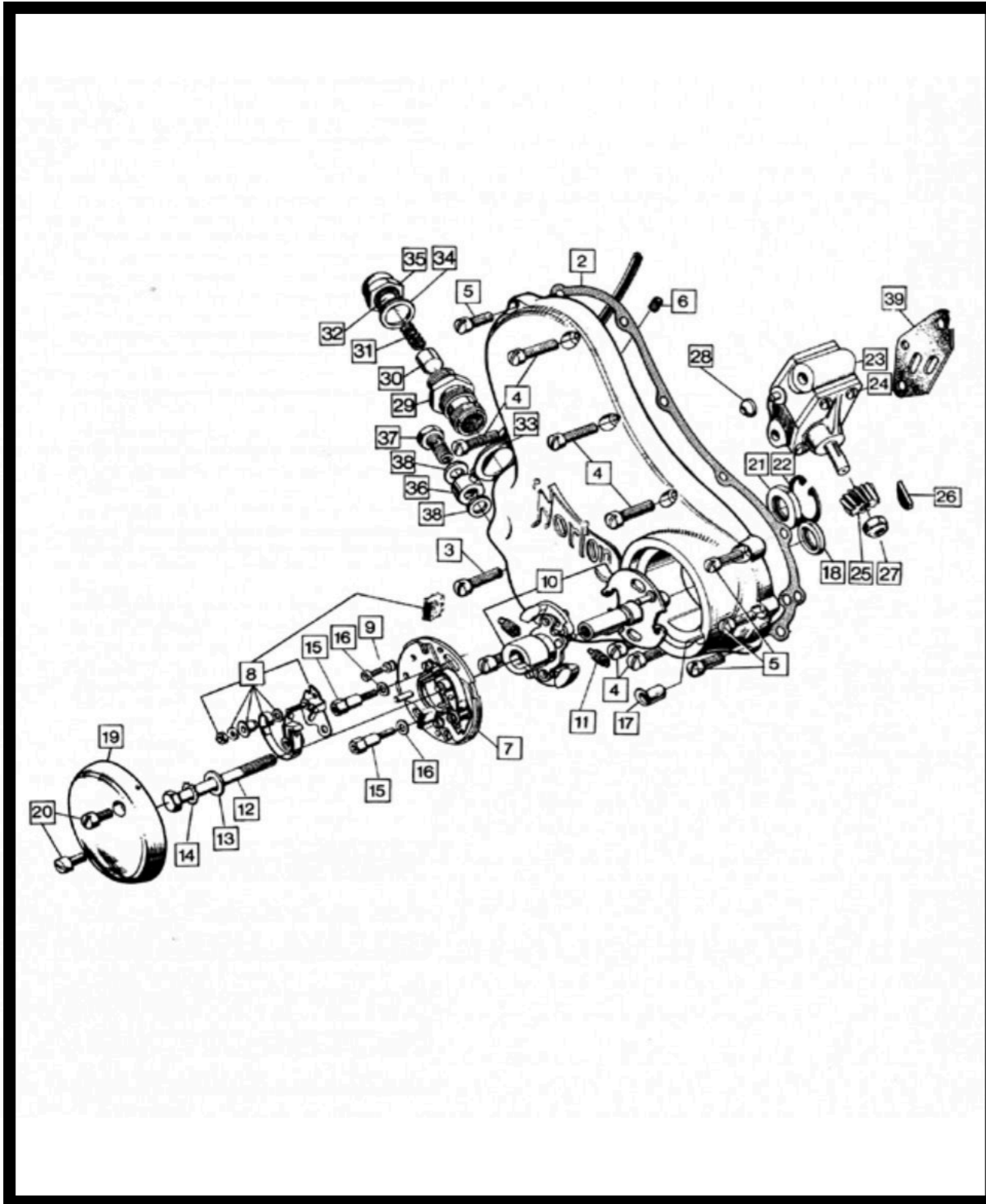


Valve Gear

Description	Model	OEM Part No.	Wassell Part No.
<b>1</b> Exhaust Valve Guide Bronze 850 (Hepolite UK)	850	06-4125	<b>WW95262</b>
<b>1A</b> Exhaust Valve Guide cast iron 750 1972-74 (Hepolite UK)	750	06-3527	<b>WW95200</b>
<b>2</b> Inlet /Exhaust valve guide cast iron 1968-72	750	NMT2011	<b>WW95143</b>
<b>2</b> Inlet valve Guide Bronze 850 (Hepolite UK)	850	06-5027	<b>WW95261</b>
<b>2A</b> Inlet Valve Guide cast iron 750 1972-74 (Hepolite UK)	750	06-2725	<b>WW95199</b>
<b>4</b> Valve Exhaust 06-5115 (Hepolite UK)	750/850	06-3282	<b>WW95108</b>
<b>5</b> Valve Inlet 06-4034 (Hepolite UK)	750/850	06-3283	<b>WW95107</b>
<b>8</b> Inlet Valve stem oil seal (late 850CC)	850	06-2726	<b>WW26245</b>
<b>9</b> Inner Valve spring (part of Hepolite UK spring set)	750/850	06-7873	<b>WW95240</b>
<b>10</b> Outer Valve spring (part of Hepolite UK spring set)	750/850	06-7822	<b>WW95240</b>
<b>25</b> Rocker spindle UK (modified for higher oil pressure)	750/850	06-7924	<b>WW26332</b>
<b>28</b> Gasket rocker spindle inner (see gasket sets)	750/850	06-7550	
<b>29</b> Gasket rocker spindle outer (see gasket sets)	750/850	06-7580	
<b>30</b> Rocker spindle lock plate (part of stainless steel kit)	750/850	06-7578	<b>WW61564 kit</b>
<b>31</b> Rocker spindle outer plate (part of stainless steel kit)	750/850	06-7579	<b>WW61564 kit</b>

# ENGINE

# Illustration Reference

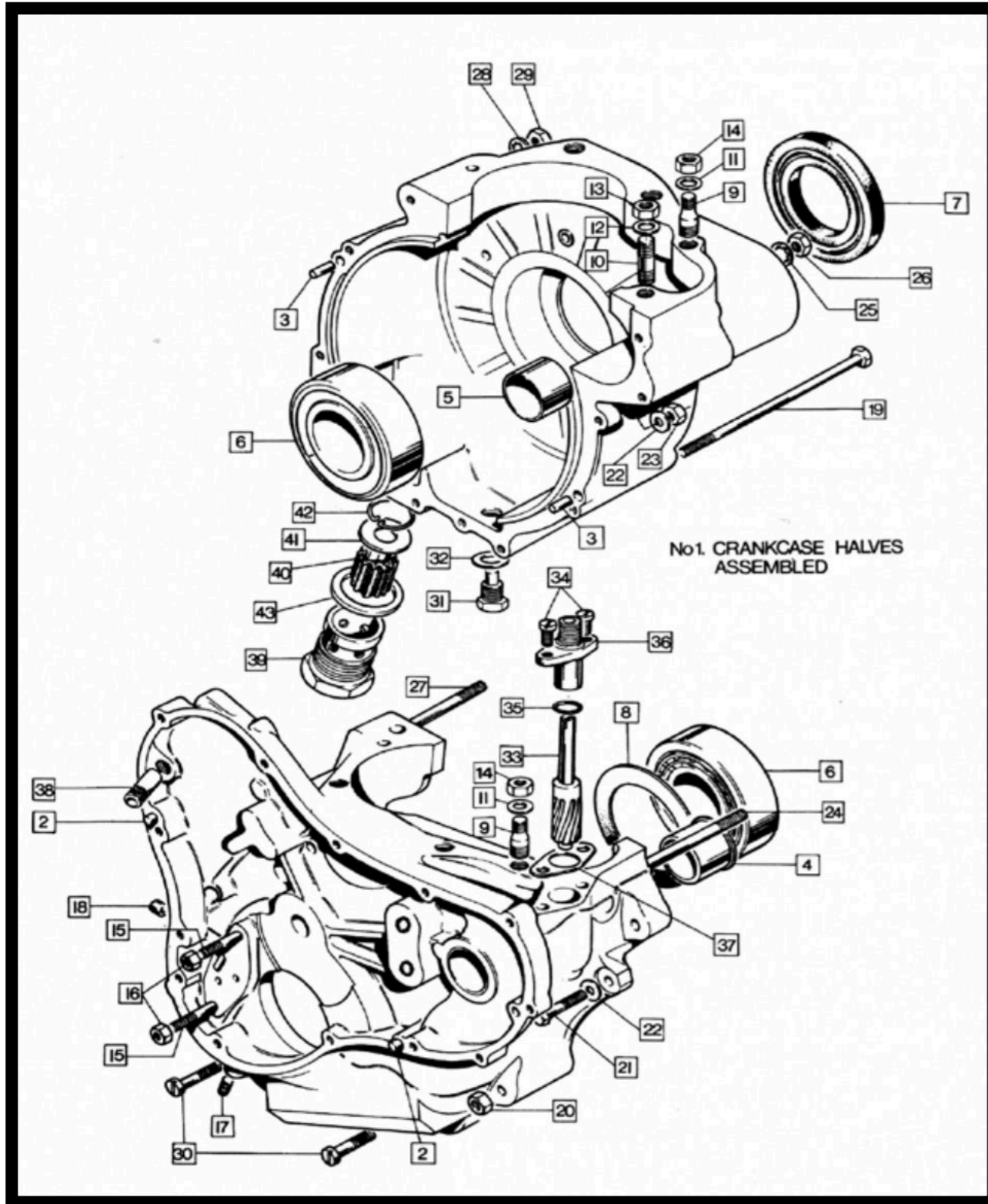


Description	Model	OEM Part No.	Wassell Part No.
<b>2</b> Timing cover gasket (see gasket sets)	750/850	06-1092	
<b>3</b> Timing cover screw (sold as set of stainless Allen heads)	750/850	06-2685	<b>WW89218/9 kit</b>
<b>4</b> Timing cover screw (sold as set of stainless Allen heads)	750/850	06-2686	<b>WW89218/9 kit</b>
<b>5</b> Timing cover screw (sold as set of stainless Allen heads)	750/850	06-2687	<b>WW89218/9 kit</b>
<b>7</b> Contact breaker plate N/A			
<b>7</b> Ignition kit Wassell 12 volt twin	750/850		<b>WW61495</b>
<b>7</b> Ignition kit Pazon sure fire 12 volt twin	750/850		<b>WW61480</b>
<b>8</b> Contact points (genuine Lucas 54419827) 1968-72 models	750	99-0763	<b>WW10031</b>
<b>8</b> Contact points (genuine Lucas 60600271) 1973-74 models	750/850	99-1266	<b>WW10035</b>
<b>18</b> Contact breaker oil seal	750/850	06-3609	<b>WW26111</b>
<b>18</b> Contact breaker oil seal (also supplied in engine oil seal kit)	750/850		<b>WW61357 kit</b>
<b>19</b> Contact breaker cover early 750 models pressed alloy	750	03-0082	<b>WW27941</b>
<b>20</b> Contact breaker cap screw (sold as set of stainless Allen heads)	750/850	06-1105	<b>WW89218/9 kit</b>
<b>21</b> Crankshaft oil seal T/S	750/850	04-8023	<b>WW26252</b>
<b>21</b> Crankshaft oil seal T/S (also supplied in engine oil seal kit)	750/850		<b>WW61357 kit</b>
<b>28</b> Oil pump seal	750/850	06-7510	<b>WW27351</b>
<b>28</b> Oil pump seal (also supplied in engine oil seal kit)	750/850		<b>WW61357 kit</b>
<b>29-35</b> Stainless steel OPVR complete assembly (UK made)	750/850		<b>WW28572</b>
<b>36</b> Rocker oil feed pipe UK (braided stainless kit with banjos)	750/850	06-5561	<b>WW27552 kit</b>
<b>37</b> Rocker oil feed banjo bolt UK (stainless steel)	750/850	06-7696	<b>WW28016</b>
<b>37</b> Rocker oil feed banjo bolt (also supplied in braided stainless kit)			<b>WW27552 kit</b>
<b>38</b> Copper sealing washer	750/850	06-7522	<b>WW26978</b>
<b>39</b> Oil pump Gasket (see gasket sets)	750/850	06-2447	

Contact Breaker, Timing Cover, Oil Pump & Oil Pressure Relief Valve

# 850 ENGINE

# Illustration Reference

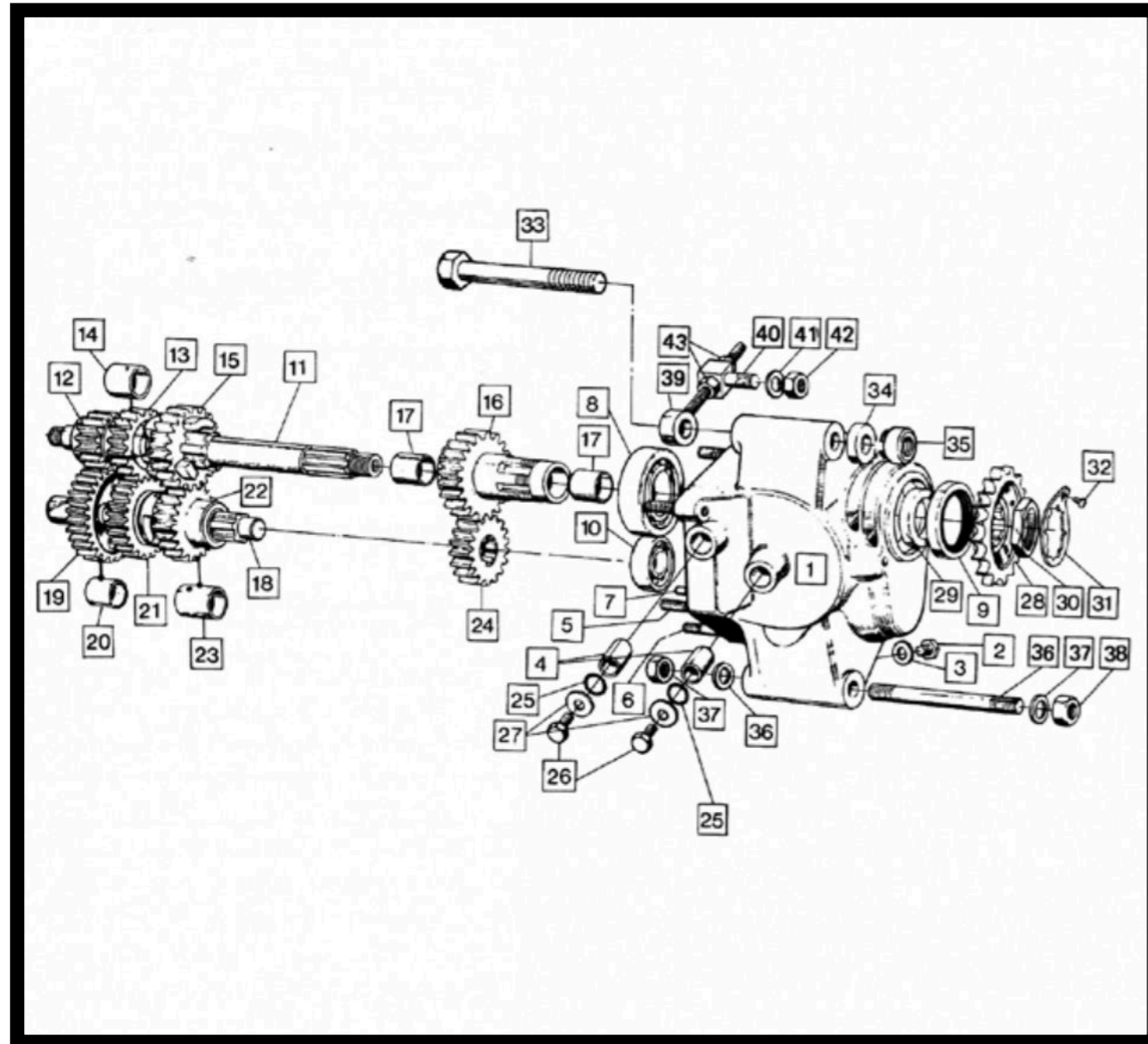


Description	Model	OEM Part No.	Wassell Part No.
6 Crankshaft bearing ball race (TIMKIN)	750/850	01-7822	WW28836
6 Crankshaft bearing superblend (BRANDED)	750/850	06-4118	WW61416
7 Crankshaft D/S oil seal	750/850	06-7567	WW26041
7 Crankshaft D/S oil seal (also supplied in engine oil seal kit)	750/850		WW61357 kit
11 Plain washer 5/16" cylinder base stud	750/850	06-6499	WW04055 PK100
16 5/16" UNF nut 06-0348	750/850	14-0302	WW04162 PK25
25 Plain washer 1/4"	750/850	06-7577	WW04054 PK100
26 1/4"UNF nut 03-3057	750/850	14-0301	WW04161 PK25
29 3/8" UNF nut 06-0029	750/850	14-0303	WW04163 PK25

Crankcases, Filter, Breather & Tachometer Drive

# GEARBOX

# Illustration Reference

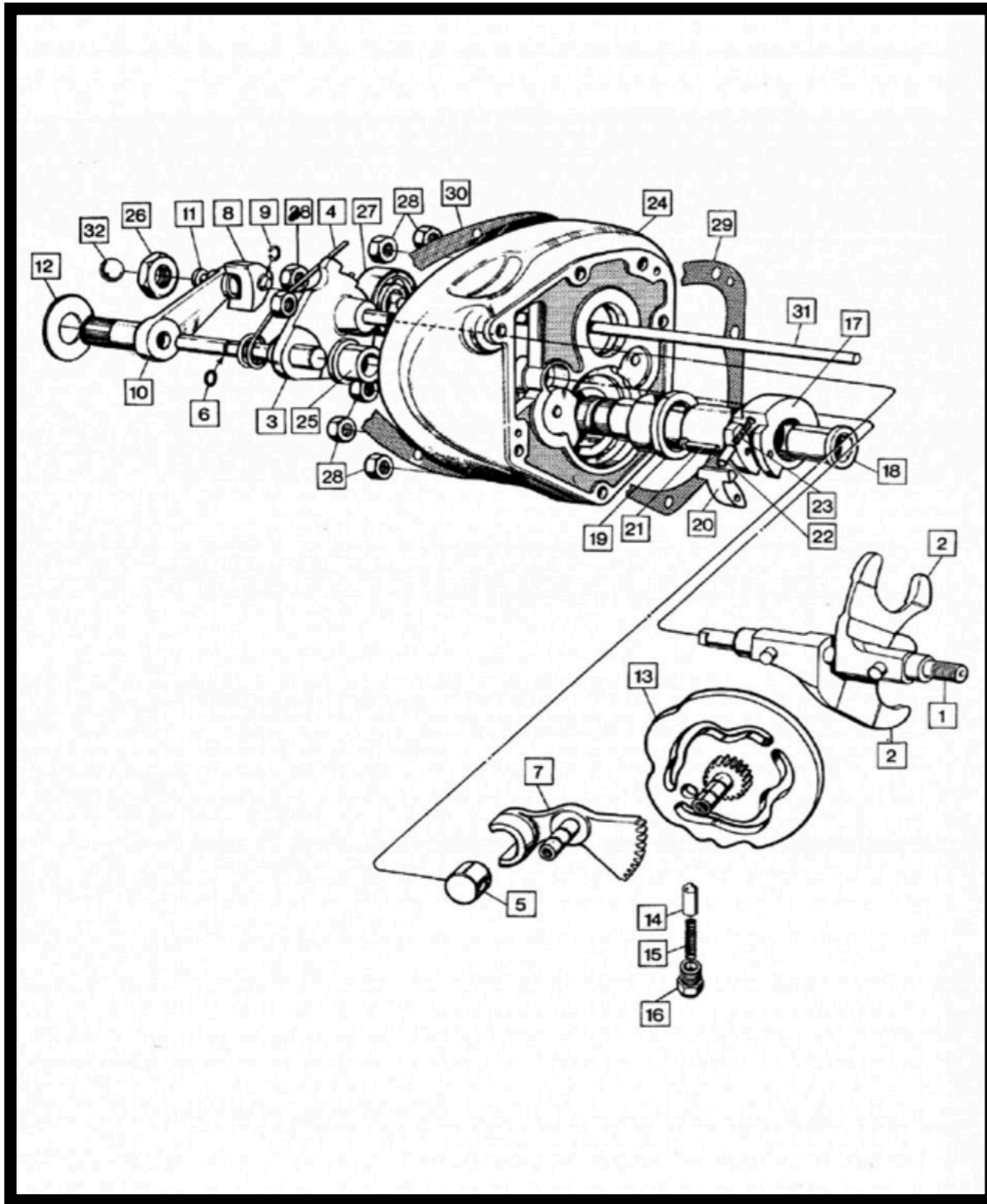


	Description	Model	OEM Part No.	Wassell Part No.
8	Sleeve gear bearing double sealed	750/850	04-0098	WW26318
9	High gear oil seal	750/850	04-0132	WW26134
	High gear oil seal (also supplied in engine oil seal set)	750/850		WW61357 kit
10	Layshaft bearing (ball race)	750/850	040010	WW61401
28	Gearbox sprocket 18 tooth (EMGO)	750/850	04-0458	WW92471
28	Gearbox sprocket 19 tooth (EMGO)	750/850	04-0480	WW92417
28	Gearbox sprocket 20 tooth (EMGO)	750/850	06-0931	WW92418
28	Gearbox sprocket 21 tooth (EMGO)	750/850	06-0721	WW92419
28	Gearbox sprocket 22 tooth (EMGO)	750/850	06-0759	WW92472
28	Gearbox sprocket 23 tooth (EMGO)	750/850	06-3420	WW28964
28	Gearbox sprocket 24 tooth (EMGO)	750/850	06-3421	WW28965
37	1/2" Plain washer	750/850	00-0008	WW04058 PK100
38	1/2" UNF nut 06-0625	750/850	14-0305	WW04165 PK25
41	3/8" plain washer	750/850	60-2322	WW04056 PK100
42	3/8" UNF nut	750/850	14-0303	WW04163 PK25

Shell, Gear Cluster, Mounting Bolts, Adjuster & Countershaft Sprockets

# GEARBOX

# Illustration Reference



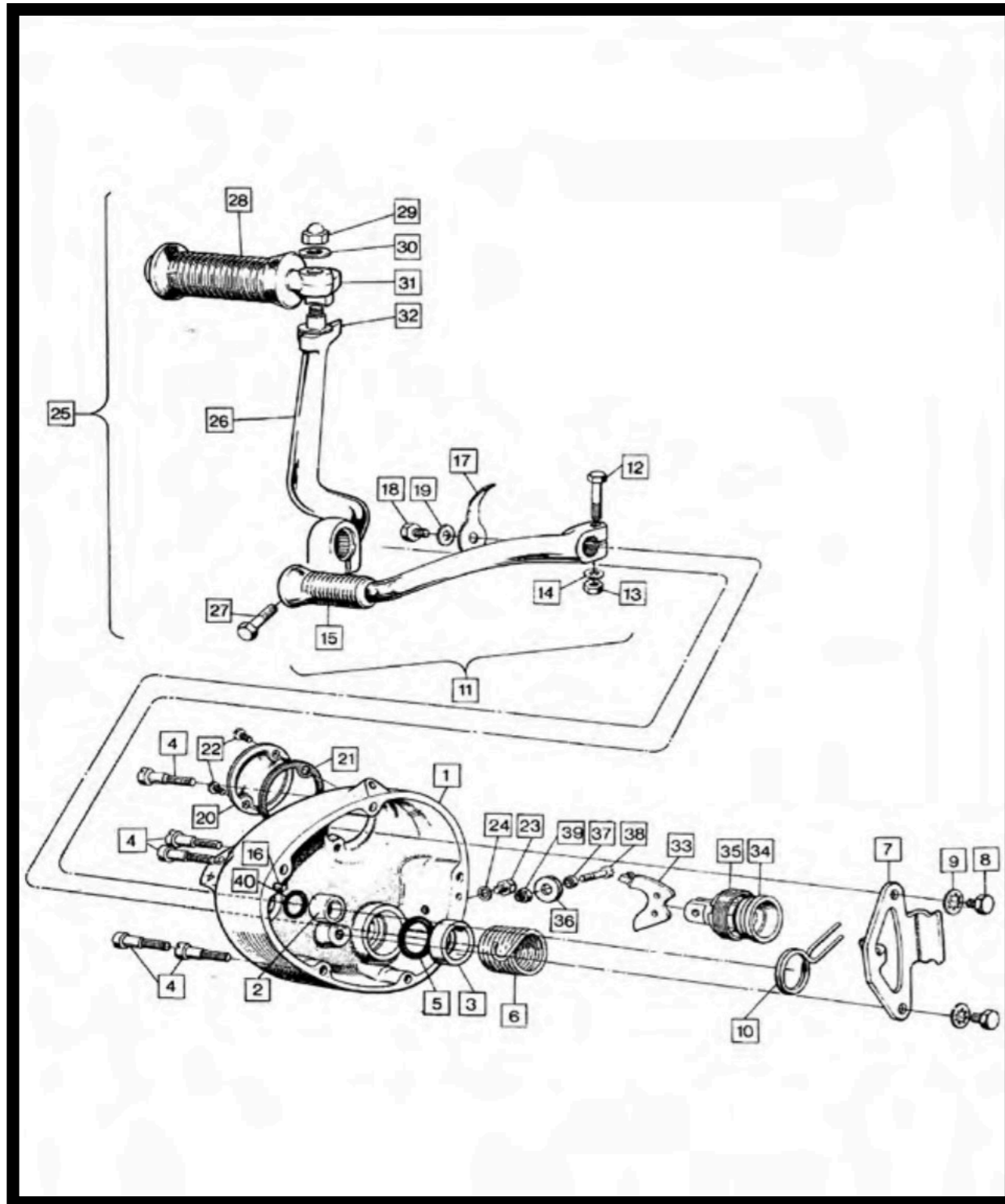
Inner Cover

	Description	Model	OEM Part No.	Wassell Part No.
27	Mainshaft bearing	750/850	04-0099	WW60017
28	5/16" Nut 26 TPI	750/850	00-0004	WW04035
29	Inner Gearbox gasket (UK)	750/850	04-0030	WW94442 PK10
30	Outer gearbox gasket (UK)	750/850	04-0055	WW94443 PK10



# GEARBOX

# Illustration Reference

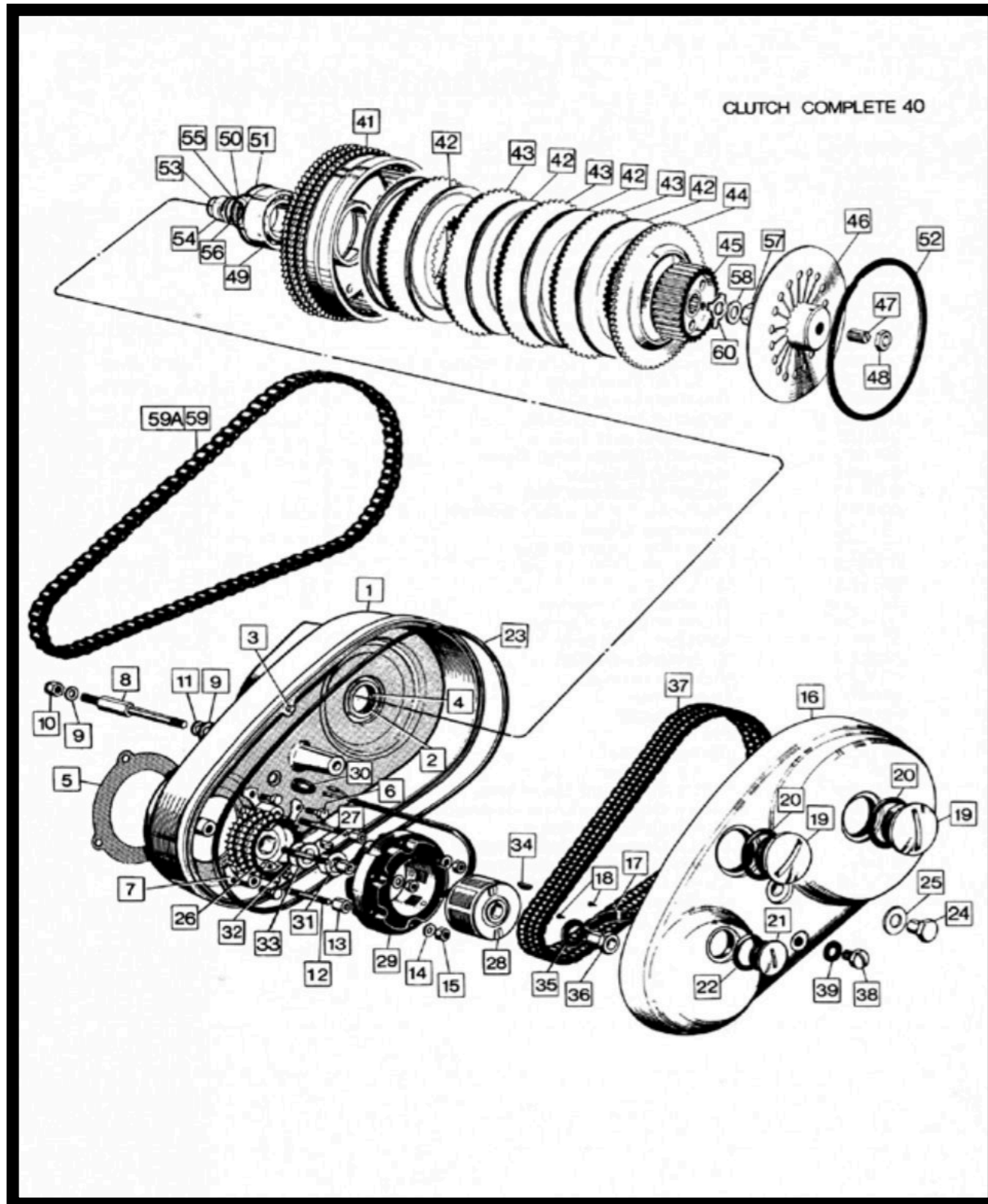


Outer Cover, Kickstart & Gearshift Lever

Description	Model	OEM Part No.	Wassell Part No.
<b>4</b> Outer cover screw (supplied in stainless Allen screw set)	750/850	00-0482	<b>WW89218/9</b> kit
<b>5</b> Kick start shaft oil seal MK3	850	06-6145	<b>WW26276</b>
<b>5</b> Kick start shaft oil seal MK3 (also supplied in oil seal kit)	850		<b>WW61357</b> kit
<b>6</b> kick start return spring (UK)	750/850	04-0475	<b>WW26022</b>
<b>10</b> Gearchange return spring (UK)	750/850	04-0479	<b>WW26021</b>
<b>11</b> Gearchange Lever (EMGO)	750/850	06-1499	<b>WW97341</b>
<b>12</b> Gearchange lever bolt 1/4"	750/850	04-0105	<b>WW04083</b> PK 25
<b>13</b> Nut gearchange pedal 1/4"	750/850	14-0301	<b>WW04161</b> PK25
<b>14</b> Flat washer 1/4" gearchange pedal	750/850	04-5062	<b>WW04054</b> PK100
<b>15</b> Gearchange rubber (EMGO)	750/850	04-0086	<b>WW71025</b> PK10
<b>15</b> Gearchange rubber (also supplied in rubber set)	750/850		<b>WW71119</b> set
<b>18</b> Gear indicator and level screw 1/4"	750/850	04-0137	<b>WW04015</b> PK25
<b>20</b> Gearbox inspection cap	750/850	04-1104	<b>WW60141</b>
<b>23</b> Gear indicator and level screw 1/4"	750/850	04-0137	<b>WW04015</b> PK25
<b>25</b> Kick start crank 750 (emgo) 06-1059	750	06-1464	<b>WW26124</b>
<b>26</b> Kick start crank 850 (emgo) 12-1018	850	06-4249	<b>WW97051</b>
<b>28</b> Kick start rubber ribbed (EMGO)	750/850	03-3218	<b>WW71008</b> PK10
<b>28</b> Kick start rubber (with Norton logo)	750/850	03-3218	<b>WW71008L</b> PK10
<b>38</b> Outer cover screw (supplied in stainless Allen screw set)	750/850	00-0457	<b>WW89218/9</b> kit

# DRIVE

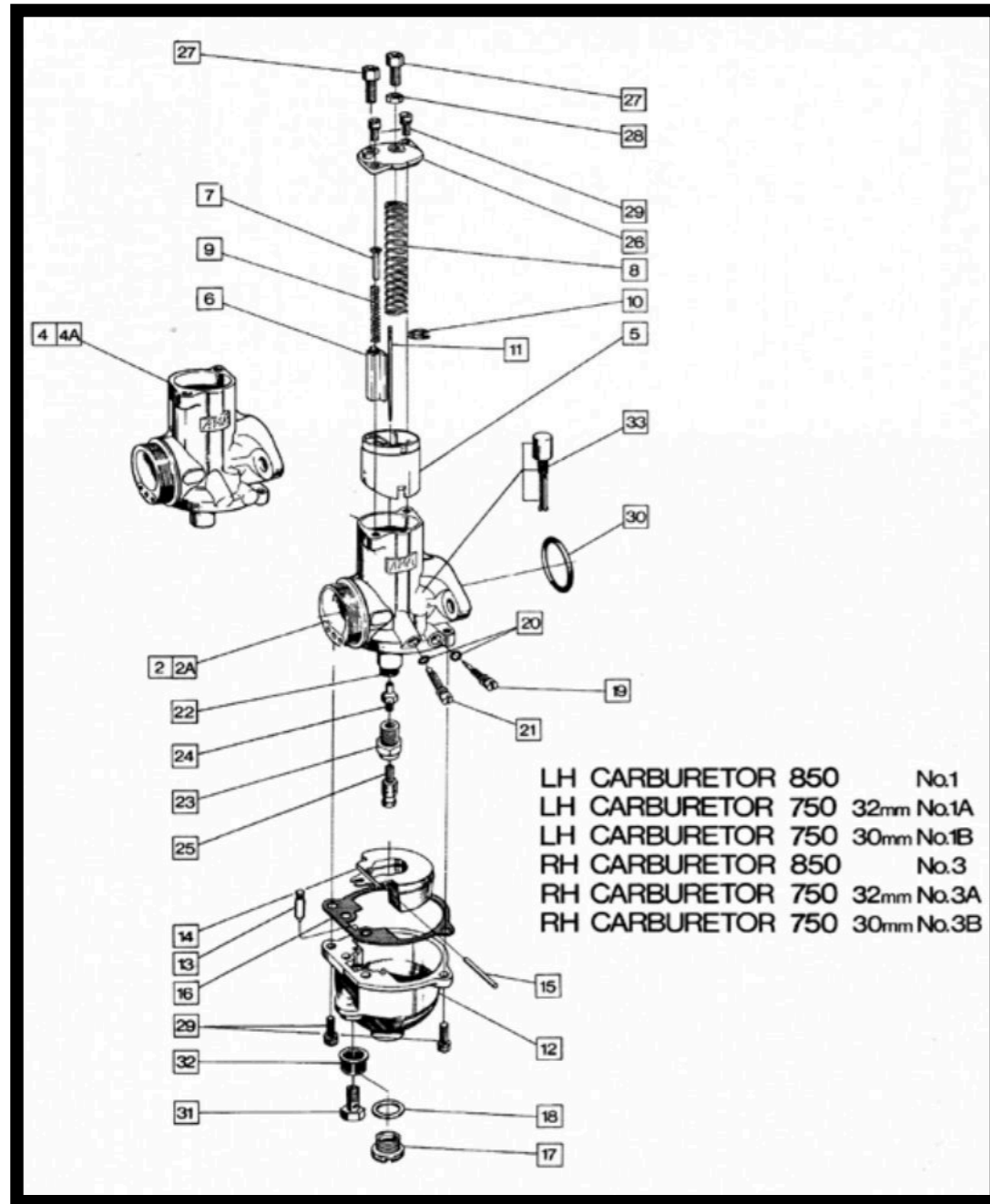
# Illustration Reference



Chaincases, Chains, Sprockets, Clutch & Alternator

Description	Model	OEM Part No.	Wassell Part No.
4 Inner chaincase oil seal MK3 models only	850	06-5956	WW26463
4 Inner chaincase oil seal MK3 (also supplied in oil seal kit)	850		WW61357 kit
5 Inner chaincase gasket MK3 only (UK)	850	06-4689	WW94429 PK10
6 Chaincase fixing screw UNF threads	750/850	06-2669	WW04126 PK25
7 Lock washer for fixing screw	750/850	06-0395	WW26002 PK10
8 Stud chaincase centre	750/850	06-0376	WW28058
9 Plain washer 3/8"	750/850	60-2322	WW04056 PK100
10 Nyloc nut 3/8" UNF	750/850	06-0397	WW04178 PK25
14 Plain washer 5/16"	750/850	60-2321	WW04055 PK100
23 Chaincase outer gasket MK3 only (UK)	850	06-5534	WW94430
28 Genuine Lucas rotor (Replaces all part numbers)	750/850	06-8100	WW10105
29 Genuine Lucas Stator 120W 2 wire 47205 (99-1006)	750/850	06-1177	WW10109
29 Genuine Lucas Stator 192W 2 wire 47239 Late Mk3	850	06-8101	WW10190
37 Primary drive chain triplex (Regina 92L endless)	750/850	06-0366	WW92388R
42 Clutch friction plate solid fibre (Surflex)	750/850	06-1339	WW91320
42 Clutch friction plate Sintered bronze friction (Surflex)	750/850	06-3741	WW91344
43 Clutch plate plain steel (Surflex)	750/850	06-0746	WW91345
45 Hardened clutch centre (06-0743)	750/850	06-3979	WW27301
59 Rear chain (Regina 98 links)	750/850		WW92234R
59 Rear chain (Regina 99 links) CUT 101	750		WW92237R
59 Rear chain (Regina 100 links)	850		WW92236R
59 Rear chain (Regina 102 links)	850		WW92238R
60 Clutch centre lock washer	750/850	06-3459	WW26006

# CARBURETTOR



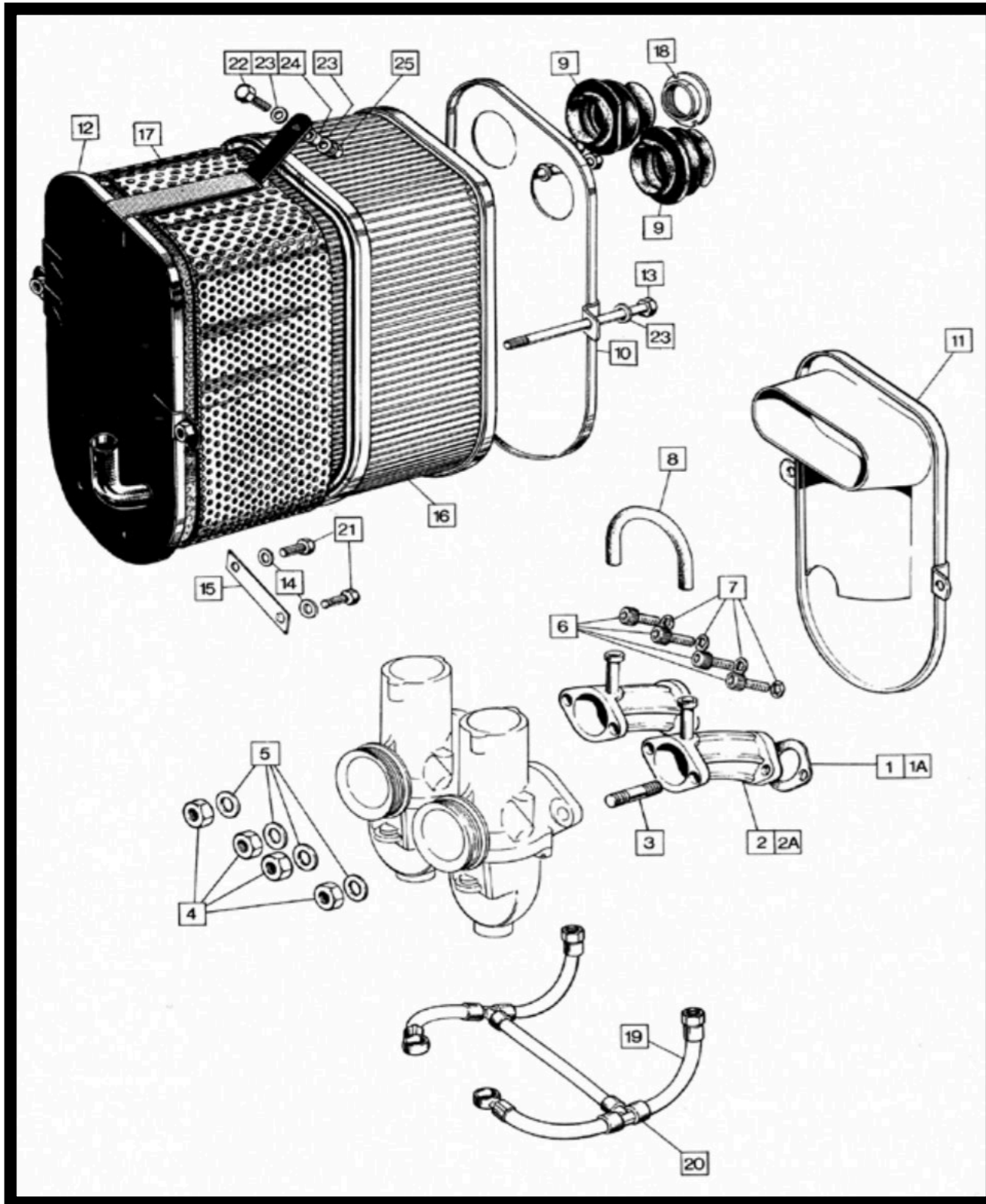
Carburettor & Carburettor Pieces

## Illustration Reference

Description	Model	OEM Part No.	Wassell Part No.
<b>3A</b> Carburettor R/H 32mm 750 (MAIN JET CHANGE REQUIRED)	750	06-7360	<b>WW90453</b>
<b>3B</b> Carburettor R/H 30mm 750 (MAIN JET CHANGE REQUIRED)	750	06-7332	<b>WW90451</b>
<b>4</b> Body 30mm L/H	750		<b>WW90479</b>
<b>4A</b> Body 32mm L/H	750		<b>WW90481</b>
<b>5</b> Throttle slide 3 standard	750/850	99-0527	<b>WW90413</b>
<b>5</b> Throttle slide 3 hard anodised alloy	750/850	99-0527HA	<b>WW90413A</b>
<b>5</b> Throttle slide 3 brass chrome plated	750/850	99-0527BC	<b>WW90413C</b>
<b>6</b> Choke slide	750/850	99-0528	<b>WW90416</b>
<b>7</b> Choke valve guide	750/850	19-3139	<b>WW90721</b>
<b>8</b> Throttle spring	750/850	99-1033	<b>WW90398</b>
<b>9</b> Choke spring	750/850	99-1038	<b>WW90397</b>
<b>10</b> Throttle needle clip	750/850	99-0510	<b>WW90372</b>
<b>11</b> Throttle Needle	750/850	99-1036	<b>WW90395</b>
<b>11A</b> Throttle needle modified	850	06-8102	<b>WW90428</b>
<b>12</b> Float chamber	750/850	99-0509	<b>WW90712</b>
<b>13</b> Float needle Viton tip	750/850	06-8103	<b>WW90406</b>
<b>14</b> Float adjustable type	750/850	99-0512	<b>WW90374</b>
<b>15</b> Float spindle	750/850	99-0513	<b>WW90375</b>
<b>16</b> Float bowl gasket	750/850	99-0514	<b>WW90376</b>
<b>17</b> Float bowl drain plug brass	750/850	99-1152	<b>WW90401</b>
<b>17A</b> Float bowl drain plug hex head	750/850	99-1152H	<b>WW90401H</b>
<b>18</b> Float bowl drain plug washer	750/850	99-1153	<b>WW90400</b>
<b>19</b> Pilot air adjusting screw	750/850	99-0515	<b>WW90377</b>
<b>20</b> O ring for adjusting screws	750/850	99-0520	<b>WW90384</b>
<b>21</b> Throttle stop screw	750/850	99-0516	<b>WW90378</b>
<b>22</b> Cut away spray tube	850	06-8104	<b>WW90979</b>
<b>23</b> Main jet holder	750/850	99-1034	<b>WW90396</b>
<b>24</b> Needle jet .106	750/850	19-3136	<b>WW90393W</b>
<b>25</b> Main jet 210	750	99-0448	<b>WW90242W</b>
<b>26</b> Main jet 260	850	99-0453	<b>WW90274W</b>
<b>27</b> Cable adjuster	750/850	99-1024	<b>WW90001</b>
<b>28</b> Lock nut for cable adjuster	750/850	06-7972	<b>WW90102</b>
<b>29</b> Top /float chamber screw	750/850	99-0521	<b>WW90385</b>
<b>30</b> Flange O ring	750/850	99-0522	<b>WW90390</b>
<b>31</b> Banjo bolt	750/850	99-0517	<b>WW90379</b>
<b>32</b> Banjo filter	750/850	99-0438	<b>WW90216</b>
<b>33</b> Extended tickler	750/850	06-8003	<b>WW90404</b>

# CARBURETTOR

# Illustration Reference

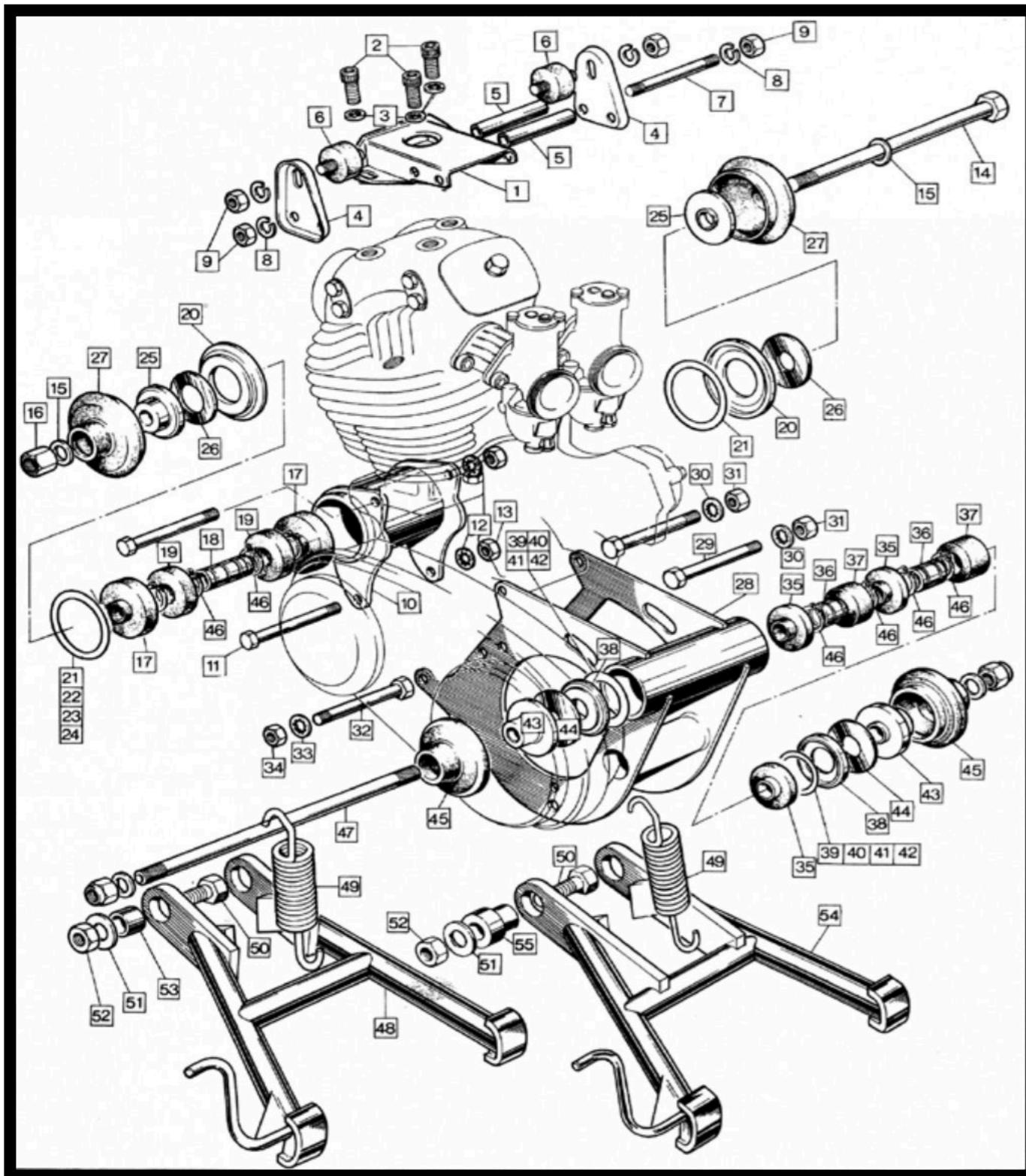


Carburettor Mountings, Air Filter & Fuel Line

Description	Model	OEM Part No.	Wassell Part No.
<b>1</b> Carb intake insulator 30mm (UK)	750	06-3458	<b>WW90183</b>
<b>1A</b> Carb intake insulator 32mm (UK)	750/850	06-7842	<b>WW90185</b>
<b>2</b> Conversion manifold for MK2 Carburettors 30mm	750		<b>WW90630</b>
<b>2A</b> Conversion manifold for MK2 Carburettors 32mm	750/850		<b>WW90631</b>
<b>2B</b> Conversion manifold for MK2 Carburettors with balance pipe	750/850		<b>WW90914</b>
<b>4</b> 5/16" UNF manifold nut	750/850	14-0302	<b>WW04162 PK25</b>
<b>5</b> 5/16" spring washer	750/850	60-2418	<b>WW04069 PK100</b>
<b>9</b> Air filter connector hose (EMGO)	750/850	06-2537	<b>WW26087</b>
<b>9</b> Air filter connector hose (UK)	850	06-4180	<b>WW26088</b>
<b>10</b> Air filter front plate silver (UK)	750/850	06-0902	<b>WW90643</b>
<b>12</b> Air filter back plate silver (UK)	750/850	06-4894	<b>WW90645</b>
<b>13</b> Bolt 1/4" UNF 3"	750/850	14-0211	<b>WW04089 PK25</b>
<b>14</b> Flat washer 1/4"	750/850	60-2320	<b>WW04054 PK100</b>
<b>16</b> Air filter element (EMGO)	750/850	06-0673	<b>WW90625</b>
<b>17</b> Air filter gauze /cover (UK)	750/850	06-0816	<b>WW90644</b>
<b>19</b> Single banjo for fuel pipe	750/850	06-1440B	<b>WW90220</b>
<b>19A</b> Pipe ferrule for fuel pipe assembly (UK)	750/850	06-1440F	<b>WW73021</b>
<b>19B</b> Nut for fuel tap connection (UK)	750/850	06-1440N	<b>WW73022</b>
<b>19C</b> Spigot for fuel tap connection (UK)	750/850	06-1440S	<b>WW73027</b>
<b>19D</b> Fuel hose 1/4" bore ethanol resistant	750/850	06-1440T	<b>WW73011E</b>
<b>20</b> Fuel hose metal T piece (UK)	750/850	06-2344	<b>WW73057</b>
<b>21</b> Bolt 1/4" UNF X 1/2 UH	750/850	14-0101	<b>WW04125 PK25</b>
<b>22</b> Bolt 1/4" UNF 3/4" UH	750/850	14-0103	<b>WW04127 PK25</b>
<b>25</b> 1/4" UNF nut	750/850	14-0301	<b>WW04161 PK25</b>

# ENGINE MOUNTING

# Illustration Reference

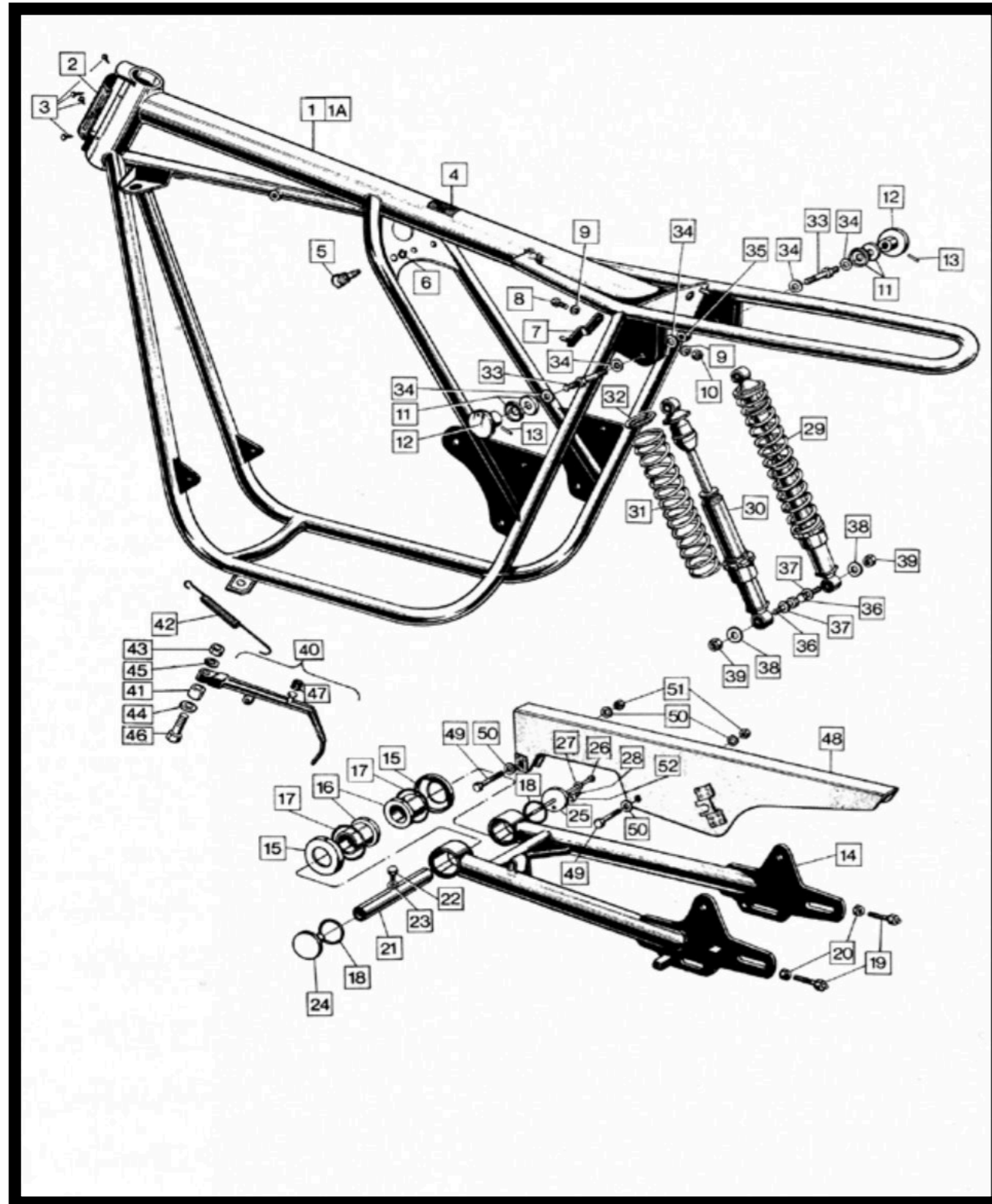


Engine Mountings, Head Steady & Centre Stand

Description	Model	OEM Part No.	Wassell Part No.
<b>6</b> Rubber mounting 06-0282 (EMGO)	750/850	06-0622	<b>WW26299</b>
<b>8</b> Spring washer 5/16"	750/850	00-0192	<b>WW04069 PK100</b>
<b>9</b> 5/16 UNF nut	750/850	14-0302	<b>WW04162 PK25</b>
<b>11</b> Bolt 3/8" UNF 4-1/8"	750/850	06-3213	<b>WW04118 PK25</b>
<b>12</b> Flat washer 3/8"	750/850	60-2349	<b>WW04056 PK100</b>
<b>13</b> 3/8" UNF nut	750/850	14-0303	<b>WW04163 PK25</b>
<b>15</b> Flat washer 1/2"	750/850	00-008	<b>WW04058 PK25</b>
<b>16</b> 1/2" UNF nyloc nut	750/850	06-0438	<b>WW04179 PK25</b>
<b>17</b> Front isolastic mounting bush	750/850	06-1226	<b>WW61136</b>
<b>27</b> Front isolastic mounting gaiter 06-0773 (EMGO)	750/850	06-3718	<b>WW28884</b>
<b>29</b> Bolt 3/8" UNF 4-1/4"	750/850	06-3212	<b>WW04119 PK25</b>
<b>30</b> Flat washer 3/8"	750/850	60-2322	<b>WW04056 PK25</b>
<b>31</b> 3/8" UNF locking nut	750/850	14-0403	<b>WW04170 PK25</b>
<b>32</b> Bolt 5/16" x 4-1/4" UH	750/850	06-3211	<b>WW04106 PK25</b>
<b>34</b> 5/16" UNF nyloc nut	750/850	14-1902	<b>WW04177 PK25</b>
<b>35</b> Rear engine mounting rubber	750/850	14-1277	<b>WW61141</b>
<b>45</b> Rear isolastic mounting gaiter 06-0774 (EMGO)	750/850	06-3719	<b>WW28885</b>
<b>46</b> Rear isolastic bushing	750/850	06-1278	<b>WW61137</b>
<b>48</b> Centre stand 1971-73 (UK)	750/850	06-4031	<b>WW26487</b>
<b>49</b> Centre stand spring 1968-70 (UK)	750	06-1039	<b>WW27227</b>
Centre stand spring 1968-70 also in spring kit (UK)	750		<b>WW288692</b>
<b>49</b> Centre stand spring 1971-73 (UK)	750/850	06-2514	<b>WW26884</b>
Centre stand spring 1971-73 also in spring kit (UK)	750/850		<b>WW28693</b>
<b>49</b> Centre stand spring MK3 (UK)	850	06-4643	<b>WW26817</b>
Centre stand spring also in spring kit (UK)	850		<b>WW28694</b>
Stainless steel engine mounting bolt kit 1972-74	750/850	06-3211/12/13	<b>WW27169</b>
MK3 head steady spring	850	06-5454	<b>WW28022</b>
MK3 front isolastic mounting	850	06-6125	<b>WW27710</b>
MK3 rear isolastic mounting	850	06-6126	<b>WW27711</b>
MK3 front isolastic adjuster	850	06-4665	<b>WW27712</b>

# FRAME & SUSPENSION

# Illustration Reference



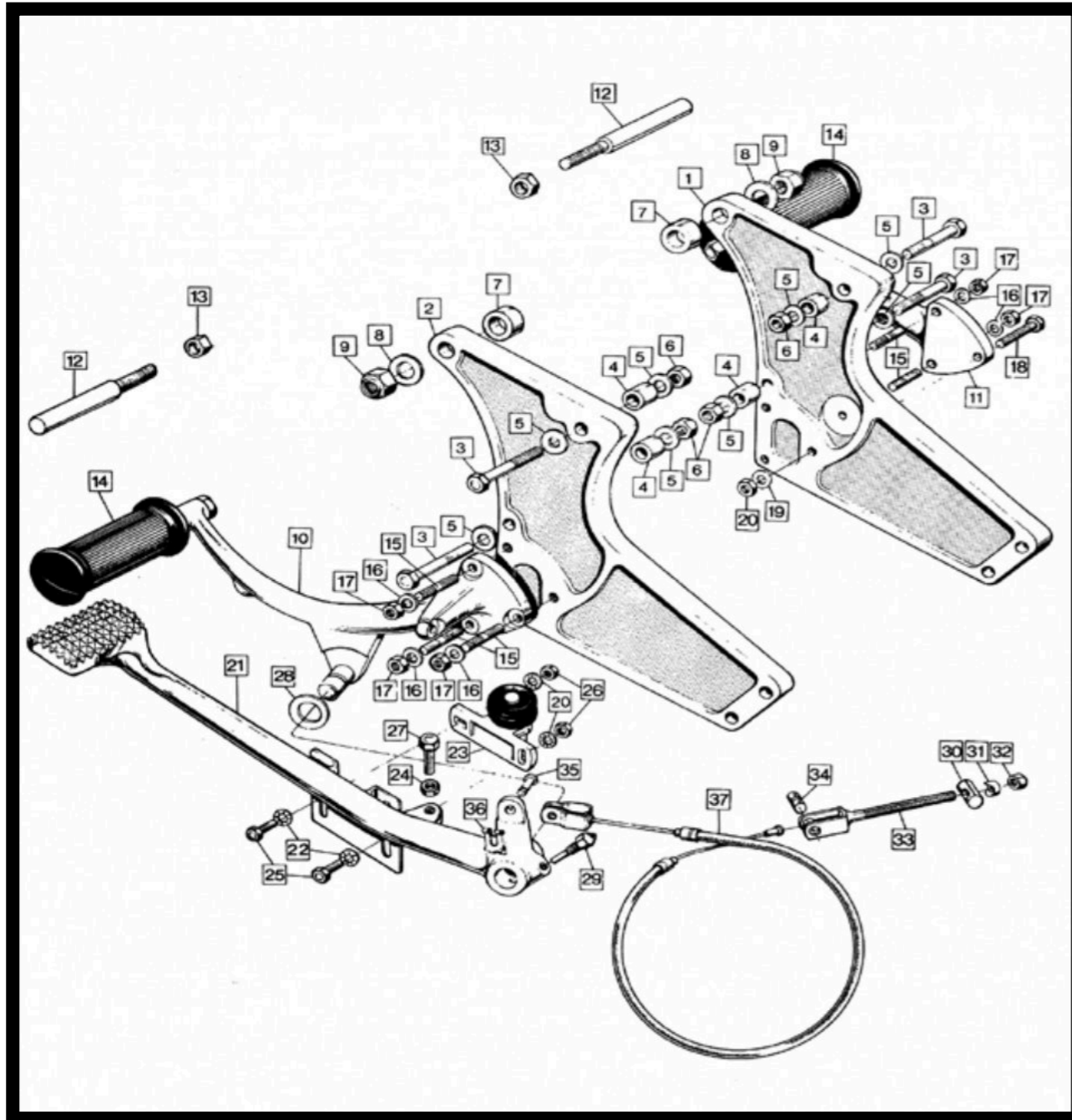
Frame, Swinging Arm & Suspension Units

Description	Model	OEM Part No.	Wassell Part No.
<b>8</b> Bolt hex head 1/4" UNF 5/8" UH	750/850	14-0102	<b>WW0126 PK25</b>
<b>9</b> Plain washer 1/4"	750/850	60-2320	<b>WW04054 PK100</b>
<b>11</b> Lipped washer (part of stainless steel shock bolt kit)	750/850	06-7612	<b>WW61561 kit</b>
<b>12</b> Dual seat Knob polished alloy 06-0647	750/850	06-4009	<b>WW26309</b>
<b>13</b> Roll pin for seat Knob (supplied with seat Knob)	750/850	06-4539	<b>WW26309</b>
<b>16</b> Swing arm Bush pre MK3 (UK)	750/850	06-0447	<b>WW26049</b>
<b>19</b> Rear wheel adjuster stainless steel	750/850	06-0650	<b>WW27298</b>
<b>20</b> Lock nut for rear adjuster stainless steel (supplied with adj)	750/850	06-0651	<b>WW27298</b>
<b>21</b> Swing arm pin 1968-74 STD size (UK)	750/850	06-0453	<b>WW26091</b>
<b>21</b> Swing arm pin 1968-74 +.005 oversize (UK)	750/850	06-4077	<b>WW26161</b>
<b>21</b> Swing arm pin 1975 on MK3 (UK)	850	06-4699	<b>WW26093</b>
<b>22</b> Bolt hex head 1/4" x 1/2" UH 06-8075	750/850	14-0101	<b>WW04125 PK25</b>
<b>29A</b> Rear shock absorber bush 3/8" (UK)	750/850	06-7359	<b>WW33358</b>
<b>29</b> Pair of rear shock absorbers (EMGO) 06-6489	750/850	06-2179	<b>WW60062</b>
<b>29</b> Pair of rear shock absorbers Girling	750/850	06-2179	<b>WW50325</b>
<b>33</b> Rear shock bolt (part of stainless steel shock bolt kit)	750/850	06-0465	<b>WW61561 kit</b>
<b>34</b> Plain washer (part of stainless steel shock bolt kit)	750/850	60-2322	<b>WW61561 kit</b>
<b>35</b> Nut 3/8" UNF (part of stainless steel shock bolt kit)	750/850	14-0303	<b>WW61561 kit</b>
<b>38</b> Plain washer 3/8"	750/850	60-2349	<b>WW04056 PK100</b>
<b>40</b> Prop stand leg (UK) 06-2001	750/850	06-5490	<b>WW26379</b>
<b>42</b> Prop stand spring 1968-70 (UK)	750	06-0768	<b>WW26857</b>
<b>42</b> Prop stand spring 1968-70 (also part of spring kit) UK	750		<b>WW28692 kit</b>
<b>42</b> Prop stand spring 1971-73 (UK)	750/850	06-2592	<b>WW26909</b>
<b>42</b> Prop stand spring 1971-73 (also part of spring kit) UK	750/850		<b>WW28963 kit</b>
<b>42</b> Prop stand spring 1974-76 (UK)	850	06-2592	<b>WW26909</b>
<b>42</b> Prop stand spring 1974-76 (also part of spring kit) UK	850		<b>WW28964 kit</b>
<b>43</b> Plain nut thin 7/16" UNF	750/850	06-3089	<b>WW61207</b>
<b>44</b> Plain washer 7/16" 06-3141	750/850	60-2332	<b>WW04057 PK100</b>
<b>45</b> Spring washer 7/16"	750/850	60-2430	<b>WW04071 PK100</b>
<b>49</b> Bolt 1/4" x 1-3/4" UNF 06-0459	750/850	14-0206	<b>WW04086 PK25</b>
<b>51</b> Nut 1/4" UNF	750/850	14-0301	<b>WW04161 PK25</b>



# REAR BRAKE & FOOT PEGS

# Illustration Reference

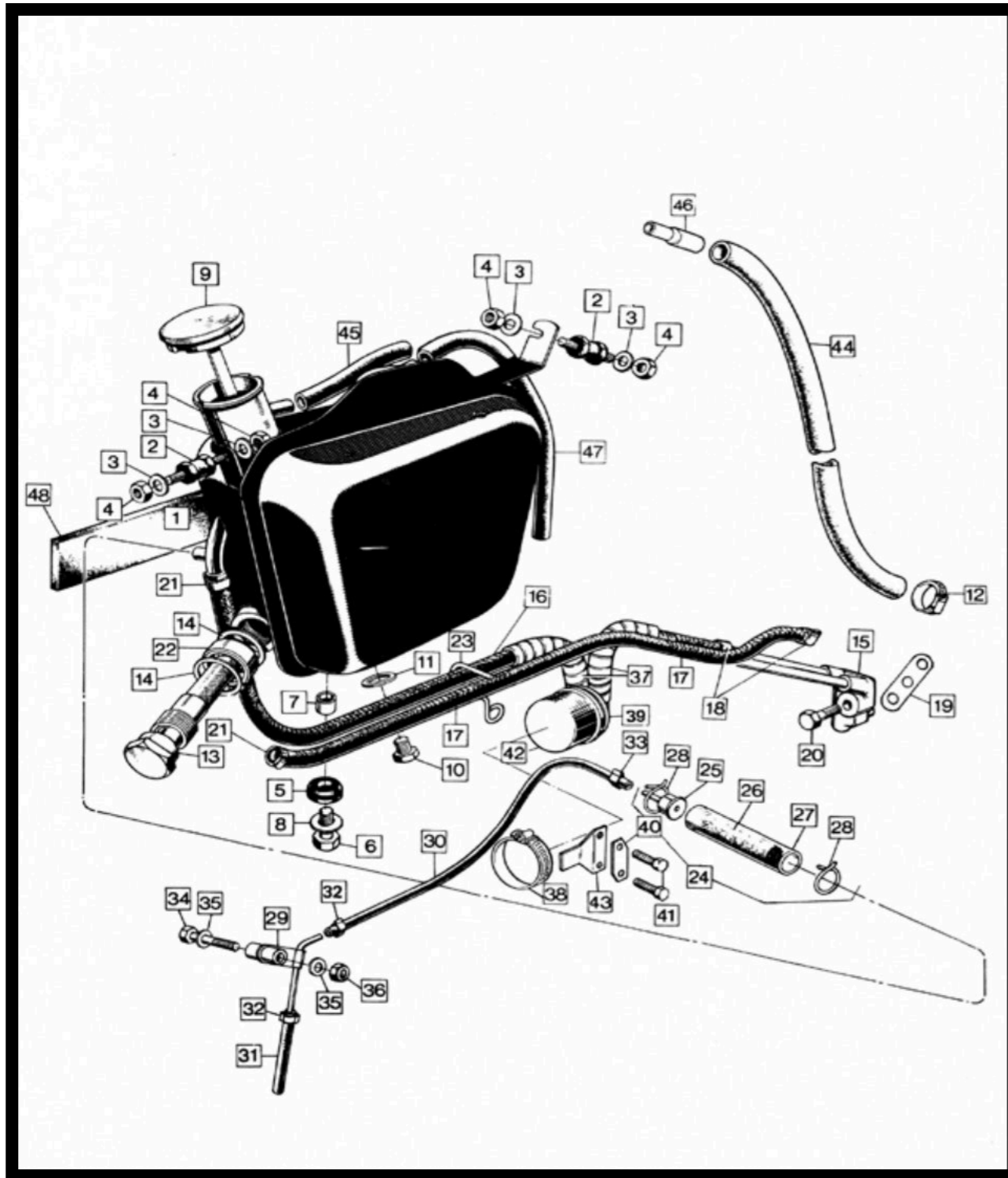


Support Plates, Riders Foot Pegs, Rear Brake, Pedal & Linkage

Description	Model	OEM Part No.	Wassell Part No.
<b>3</b> Hex bolt 3/82 UNF X 2"	750/850	06-0858	<b>WW14111 PK25</b>
<b>5</b> Plain washer 3/8"	750/850	06-2322	<b>WW04056 PK100</b>
<b>6</b> Nut 3/8" UNF 06-0029	750/850	14-0303	<b>WW04163 PK25</b>
<b>8</b> Plain washer 1/2"	750/850	00-0008	<b>WW04058 PK100</b>
<b>9</b> Nyloc nut 1/2 UNF	750/850	06-0438	<b>WW04179 PK25</b>
<b>12</b> Riders footrest peg (EMGO)	750/850	06-2734	<b>WW28872 pair</b>
<b>13</b> Nut 7/16" UNF	750/850	14-0304	<b>WW04164</b>
<b>14</b> Riders footrest rubber (EMGO)	750/850	06-7760	<b>WW71015 PK10</b>
<b>14</b> Riders footrest rubber (also supplied in rubber kit)	750/850	06-7760	<b>WW71119</b>
<b>16</b> Plain washer 5/16"	750/850	60-2321	<b>WW04055 PK100</b>
<b>17</b> Nut 5/16" UNF	750/850	14-0302	<b>WW04162 PK25</b>
<b>18</b> Hex set screw 5/16" UNF	750/850	06-1246	<b>WW04141 PK25</b>
<b>19</b> Plain washer 5/16"	750/850	60-2321	<b>WW04055 PK100</b>
<b>21</b> Rear brake pedal spring	750/850	06-4172	<b>WW26328</b>
<b>21</b> Rear brake pedal spring MK3	850	06-5773	<b>WW26665</b>
<b>23</b> Brake light switch (EMGO)	750/850	99-1028	<b>WW10141</b>
<b>27</b> Bolt 5/16" UNF X 1"	750/850	06-0943	<b>WW04138 PK25</b>
<b>32</b> Nyloc nut 5/16" UNF	750/850	14-1902	<b>WW04177 PK25</b>
<b>37</b> Rear brake cable	750/850	06-0482	<b>WW81643</b>

# OIL TANK & PIPES

# Illustration Reference



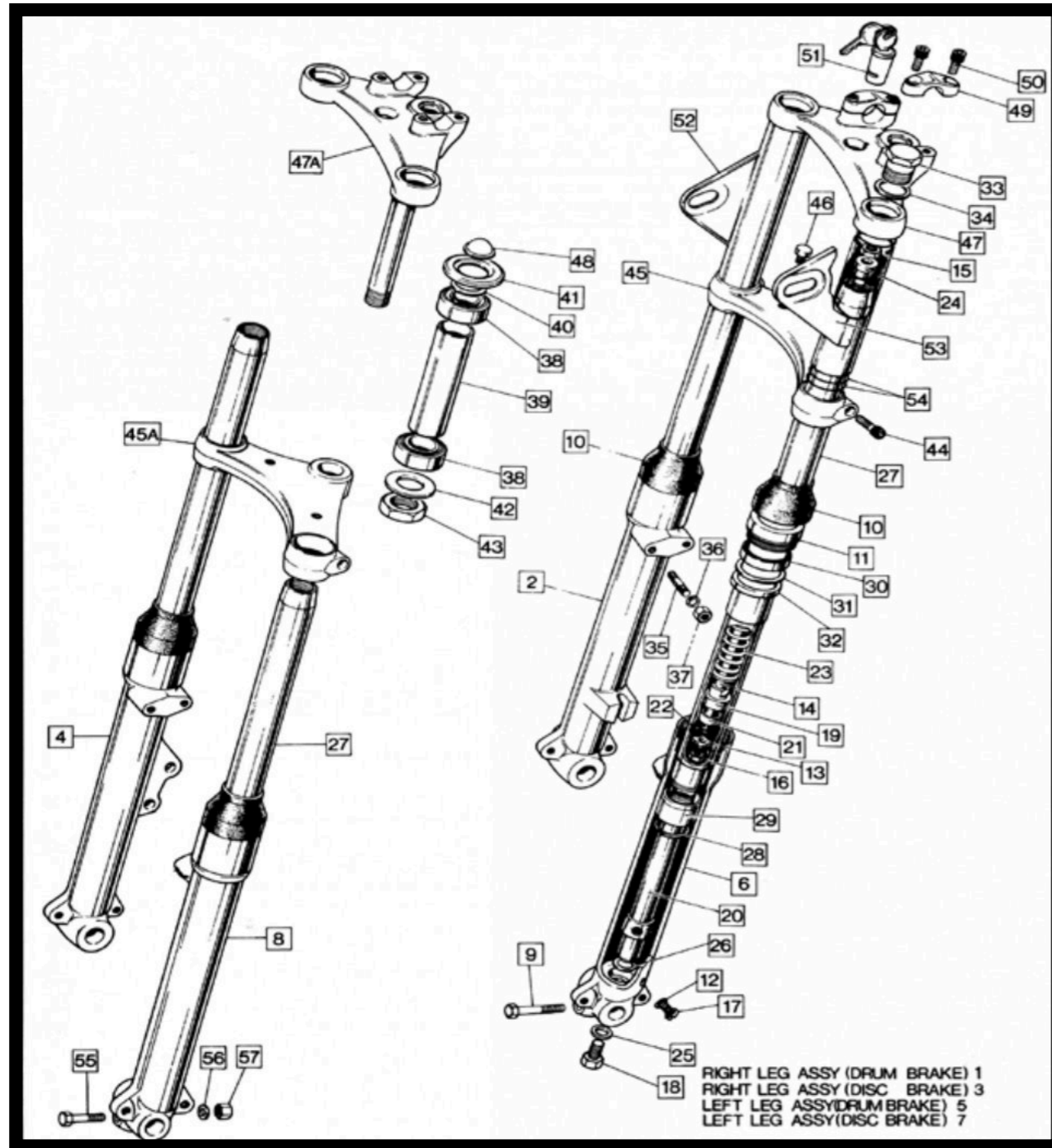
Description	Model	OEM Part No.	Wassell Part No.
<b>2</b> Oil tank mounting rubber (EMGO)	750/850	06-0636	<b>WW61062</b>
<b>3</b> Plain washer 1/4"	750/850	60-2320	<b>WW04054 PK100</b>
<b>4</b> Nut 1/4" UNF	750/850	14-0301	<b>WW04161 PK25</b>
<b>6</b> Hex set screw 1/4" UNF X 1" 06-0652	750/850	14-0105	<b>WW04129 PK25</b>
<b>8</b> Plain washer 1/4"	750/850	60-2320	<b>WW04054 PK100</b>
<b>9</b> Oil tank cap (UK without dip stick)	750/850	06-1649	<b>WW72031</b>
<b>19</b> Oil junction block gasket (supplied in complete gasket sets)	750/850	03-2044	
<b>34</b> Hex bolt 1/4" UNF X 1-3/4"	750/850	14-0206	<b>WW04086 PK25</b>
<b>35</b> Plain washer 1/4"	750/850	60-2320	<b>WW04054 PK100</b>
<b>37</b> Oil line protector spring set	750/850	06-3367	<b>WW26760</b>
<b>39</b> Oil filter mounting head (UK)	750/850	06-3139	<b>WW27985</b>
<b>41</b> Hex set screw 5/16" UNF x 3/4"	750/850	14-0114	<b>WW04136 PK25</b>
<b>42</b> Spin on oil filter (EMGO)	750/850	06-3371	<b>WW97028</b>
<b>42</b> Spin on oil filter (Champion)	750/850	06-3371	<b>WW97028C</b>

Oil Tank, Oil Pipes, Junction Block, Rear Chain Oiler & Full Flow Oil Filter



# FRONT FORKS

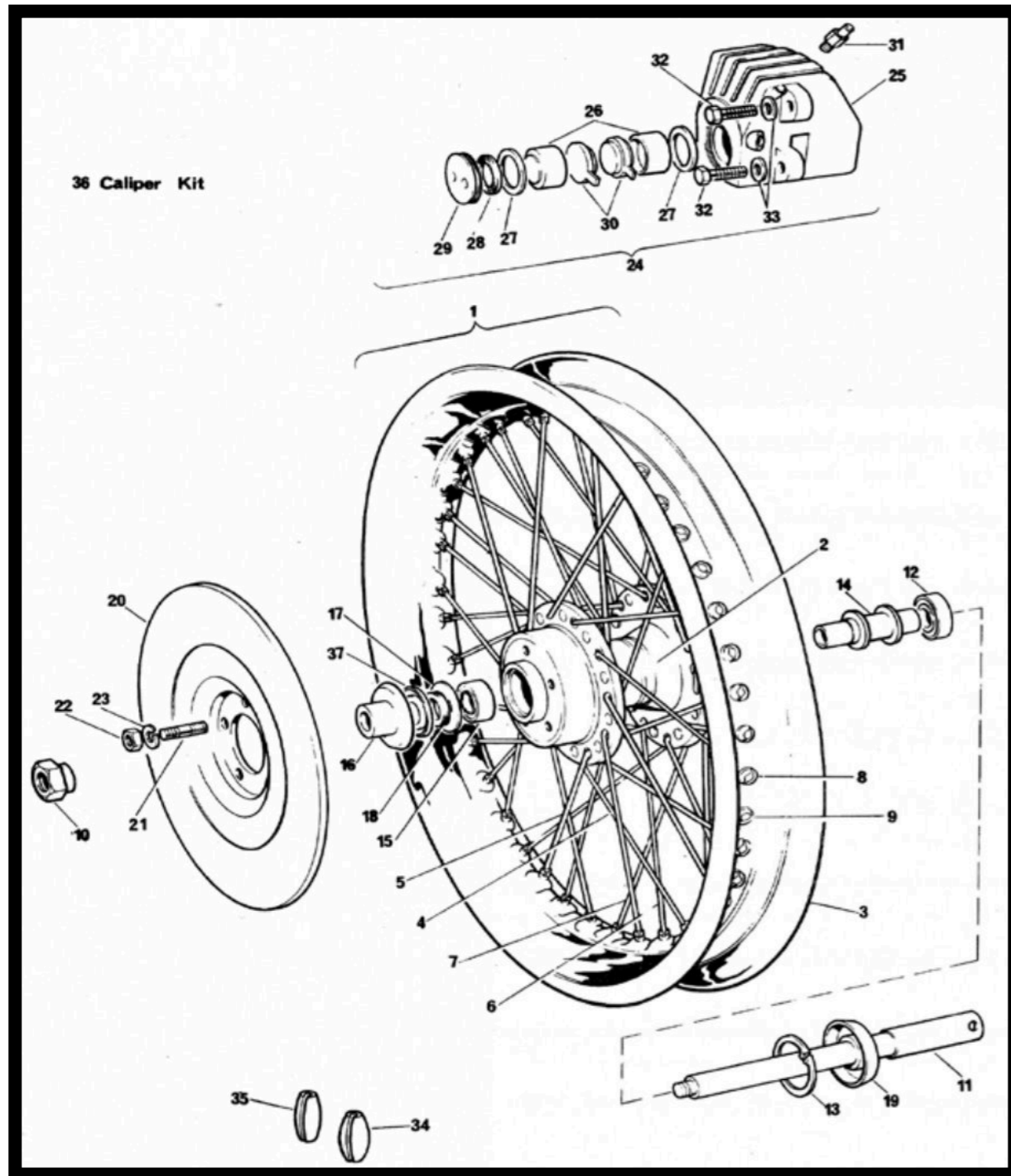
# Illustration Reference



Description	Model	OEM Part No.	Wassell Part No.
10 Fork dust seal/gaiter (EMGO)	750/850	06-1115	WW71048
10 Fork gaiters MK3 Commando (EMGO)	850	06-5743	WW71065
10 Fork gaiters MK3 Commando (Wassell heavy duty )	850	06-5743	WW71065HD
11 Fork slider extension/oil seal holder 1968-69 stainless steel (pr)	750	06-0350	WW60138 pr
16 Nut 5/16" UNF	750/850	14-0302	WW04162 PK25
18 Hex set screw 5/16" UNF X 5/8"	750/850	14-0113	WW04134 PK25
27 Fork stanchion hard chrome (EMGO sold in pairs)	750/850	06-3423	WW26100
29 Bottom fork bush	750/850	06-7519	WW26020
30 Fork oil seal	750/850	06-5483	WW26112
32 Top fork Bush bronze (UK)	750/850	06-7521	WW26019
33 Fork stanchion top nut polished stainless steel (UK)	750/850	06-0345	WW26266
36 Plain washer 1/4"	750/850	60-2320	WW04054
38 Double sealed steering bearing	750/850	06-7604	WE27217
38 Taper steering bearing (optional)	750/850	06-7604	WW61436
51 Steering lock with keys (EMGO)	750/850	03-0175	WW26433
52 Headlamp bracket R/H chrome plated (EMGO sold as pair)	750/850	06-2028	WW28042 pair
53 Headlamp bracket L/H chrome plated (EMGO sold as pair)	750/850	06-2029	WW28042 pair
55 Hex bolt 5/16" UNF X 2"	750/850	14-0221	WW04099 PK25
56 Plain washer 5/16"	750/850	60-2321	WW04055 PK100
57 Nut 5/16" UNF	750/850	14-0302	WW04162 PK25

Roadholder Front Forks, Steering Lock & Steering Head Bearings

# FRONT WHEEL & BRAKE



Front Wheel & Brake

## Illustration Reference

Description	Model	OEM Part No.	Wassell Part No.
2 Front hub complete with bearings/dust covers (Jones UK)	750/850	06-2867	WW37325
3 Front wheel rim chrome (drilled for later spoke sets)	750/850	06-1951	WW37211
4 Spoke polished stainless steel (Jones UK sold in sets of 40)	750/850	06-3924	WW37036 set
5 Spoke polished stainless steel (Jones UK sold in sets of 40)	750/850	06-3825	WW37036 set

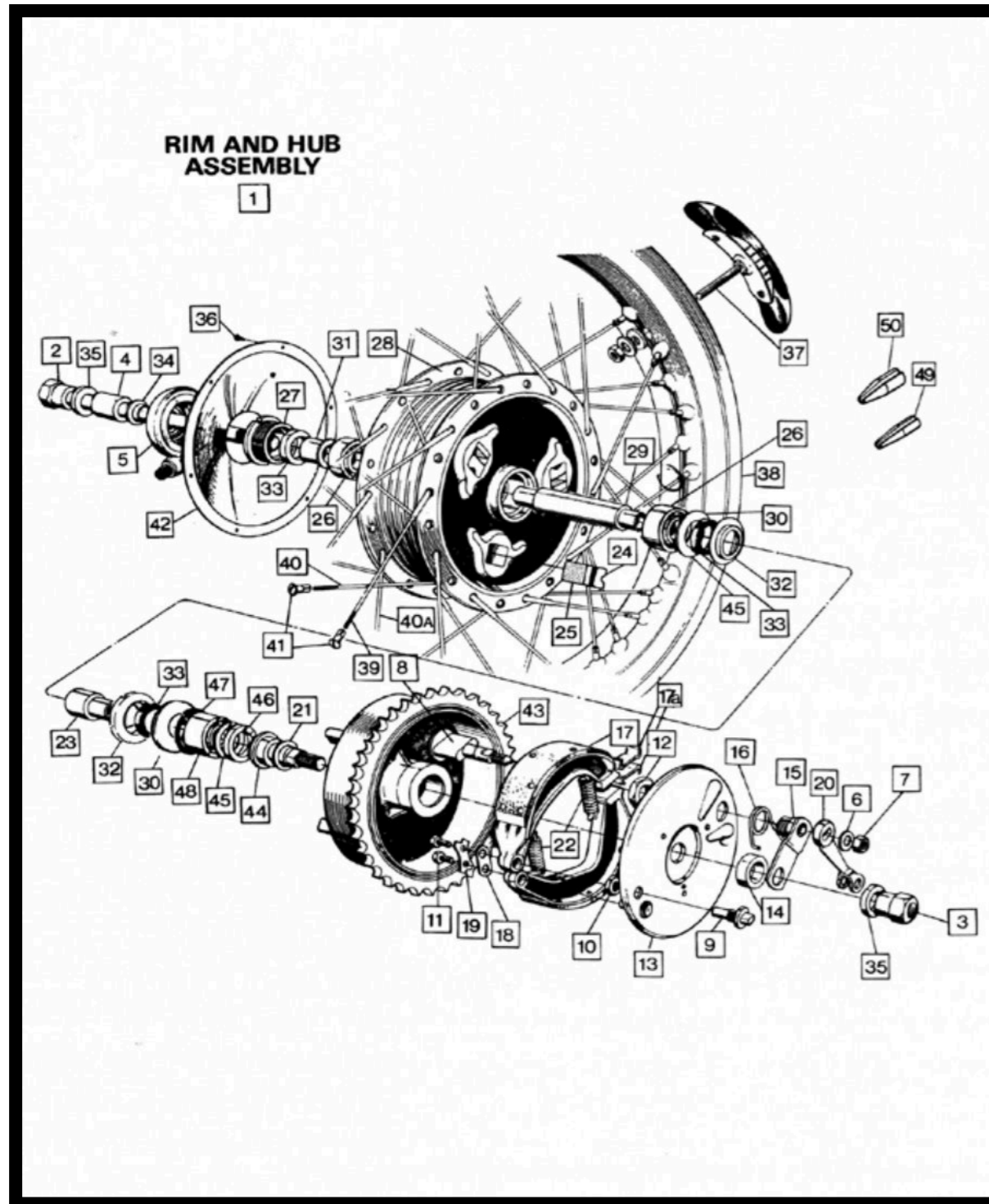
Description	Model	OEM Part No.	Wassell Part No.
6 Spoke polished stainless steel (Jones UK sold in sets of 40)	750/850	06-3922	WW37036 set
7 Spoke polished stainless steel (Jones UK sold in sets of 40)	750/850	06-3923	WW37036 set
8 Nipple brass nickel (Jones UK supplied in stainless spoke sets)	750/850	06-2595	WW37036 set
9 Nipple brass nickel (Jones UK supplied in stainless spoke sets)	750/850	06-3207	WW37036 set
10 Front spindle nut polished stainless steel (supplied with axle)	750/850	06-0361	WW61474
11 Front spindle polished stainless steel (supplied with nut)	750/850	06-0362	WW61474
12 Front wheel bearing single row double sealed	750/850	06-5542	WE27209
13 Front hub bearing circlip (Jones UK)	750/850	06-2090	WW37326
14 Bearing spacer tube (Jones UK)	750/850	06-1955	WW37327
15 Front wheel bearing double row double sealed	750/850	06-7688	WW60025
16 Wheel spacer R/H billet stainless steel (Jones UK)	750/850	06-3918	WW37311
17 Washer felt retainer	750/850	06-2071	WW37328
19 Wheel spacer L/H billet stainless (Jones UK)	750/850	06-2448	WW37312
21 Stud disc brake rotor	750/850	06-1960	WW37329
22 Nut 5/16" UNF	750/850	14-0302	WW04162 PK25
23 Spring washer 5/16"	750/850	60-2418	WW04069 PK100
26 Brake caliper piston stainless steel (UK made)	750/850	06-1896	WW38155
27 Piston seal (supplied in caliper seal kit)	750/850	06-1930	WW38160 kit
28 Caliper plug seal (supplied in seal kit)	750/850	06-2187	WW38160 kit
29 Caliper end blanking plug stainless steel (UK made)	750/850	06-2185	WW38154
30 Pair of Brake pads (EMGO)	750/850	06-6005	WW38151
30 Pair of brake pads (Ferodo Platinum)	750/850	06-6005	WW38153
31 Bleed Nipple 1/4" UNF	750/850	06-1929	WW28580
32 Spring washer 3/8"	750/850	60-2424	WW04070 PK100
36 Complete caliper seal kit (UK made)	750/850	06-4243	WW38160
Brake caliper replica Lockheed CP2696 for production racer	750/850		WW38146

### 750CC Models with T.L.S Drum Brake

Front wheel rim drum brake models	750	06-7712	WW37209
Complete spoke & nipple set polished stainless steel	750	06-2525/26	WW37034
Brake shoes TLS (Ferodo)	750	06-0006	WW38259
Front wheel spindle & nut polished stainless steel	750	06-0361/62	WW61474
Front wheel bearing single row double sealed	750	06-5542	WE27209
Front wheel bearing double row sealed	750	06-7688	WW60025

# REAR WHEEL

# Illustration Reference



Rear Wheel, Drum & Bearings

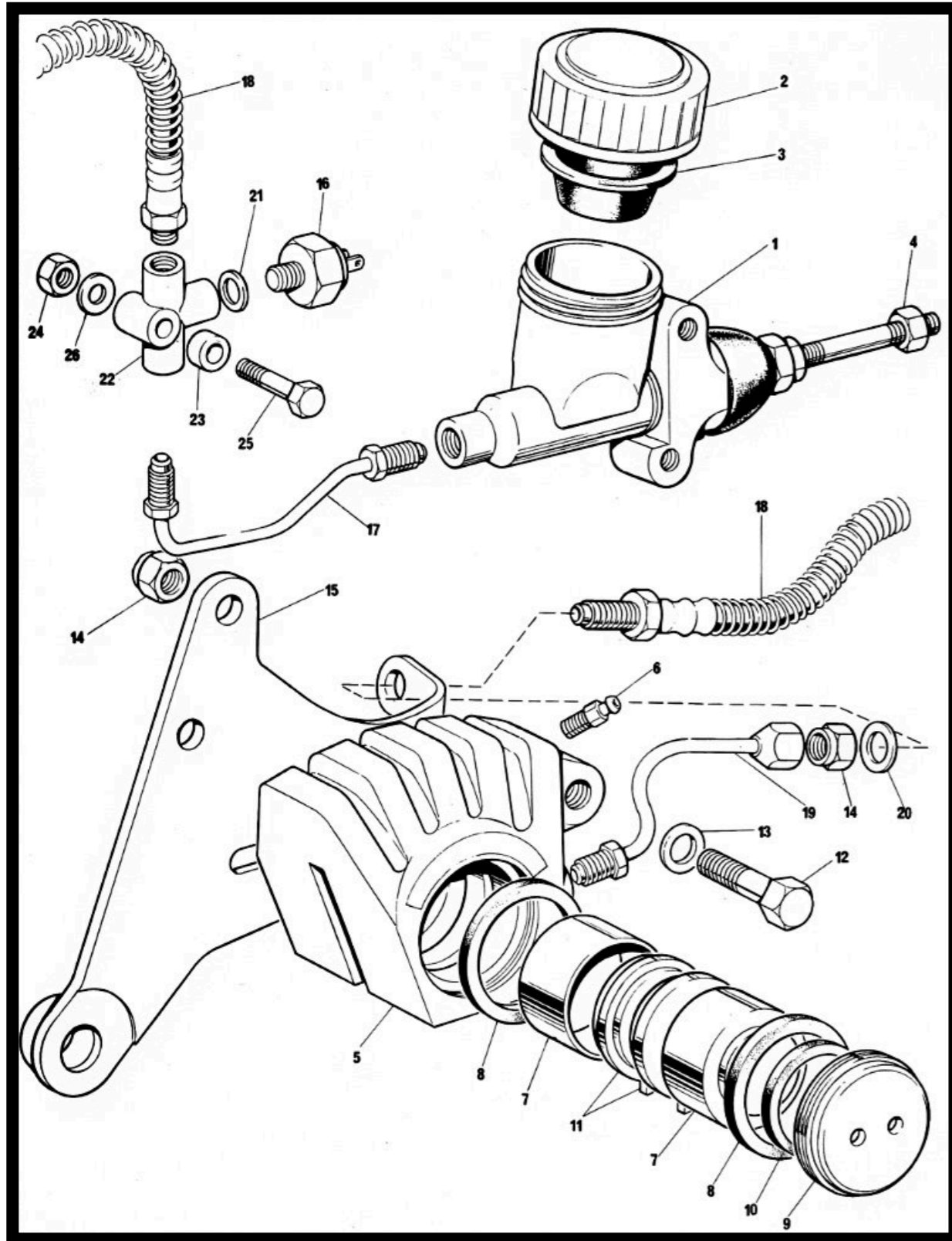
Description	Model	OEM Part No.	Wassell Part No.
2 Rear wheel spindle polished stainless (supplied as complete)	750/850	06-0289	WW61473 kit
3 Rear wheel nut polished stainless (supplied as complete)	750/850	06-0292	WW61473 kit
4 Wheel spindle spacer polished stainless (supplied as complete)	750/850	06-0324	WW61473 kit
5 Speedo gearbox (EMGO)	750/850	06-0627	WW26076
6 Plain washer 3/8"	750/850	60-2322	WW04056 PK100
7 Nut 3/8" UNF	750/850	14-0303	WW04163 PK25
11 Hex head set screw 1/4" UNF X 1/2"	750/850	14-0101	WW04125 PK25
14 Spacer brake plate outer stainless steel (supplied as complete)	750/850	06-0334	WW61473 kit
16 Rear brake lever return spring (UK made)	750/850	06-0704	WW28021
17 Pair of Rear brake shoes (Ferodo)	750/850	06-3417	WW38263
18 Pair of Rear brake shoes (EMGO)	750/850	06-3417	WW38264
24 Cush drive rubber thick MK2A	750/850	06-2074	WW71060
25 Cush drive rubber thin MK2A	750/850	06-2075	WW71061
26 Wheel bearing double sealed single row	750/850	06-5542	WW27209
35 Wheel spindle washer stainless steel (supplied as complete)	750/850	06-7738	WW61473 kit
37 Security bolt WM2 rubber	750/850	06-8090	WW37051
37 Security bolt WM2 serrated alloy	750/850	06-8090	WE14031
38 Rear wheel rim full width hub models	750/850	06-7721	WW37209
39 Spoke outer polished stainless (supplied as complete set)	750/850	06-2526	WW37034
40 Spoke inner polished stainless (supplied as complete set)	750/850	06-2525	WW37034
41 Spoke nipple brass chrome (supplied as complete set)	750/850	02-1693	WW37034
42 Hub cover polished stainless pre 1971 models	750/850	06-2082	WW60131
44 Half spindle stainless steel (supplied as complete)	750/850	06-2067	WW61473 kit
47 Hub bearing retaining circlip	750/850	06-2090	WW37326
48 Rear wheel bearing double sealed/double row	750/850	06-7688	WW60025
49 Balance weight .300 nipple (small)	750/850		WW37017
50 Balance weight .300 nipple (large)	750/850		WW37018

### Rear Wheel Parts Other Years

Set of Sprocket nuts stainless steel pre 70 models unified threads	750	06-0323	WW26563
Set of Sprocket nuts stainless steel pre 70 models CEI threads	750	06-7703	WW26566
MK3 Rear hub plate	850	06-4810	WW26349

# REAR BRAKE HYDRAULIC SYSTEM

# Illustration Reference

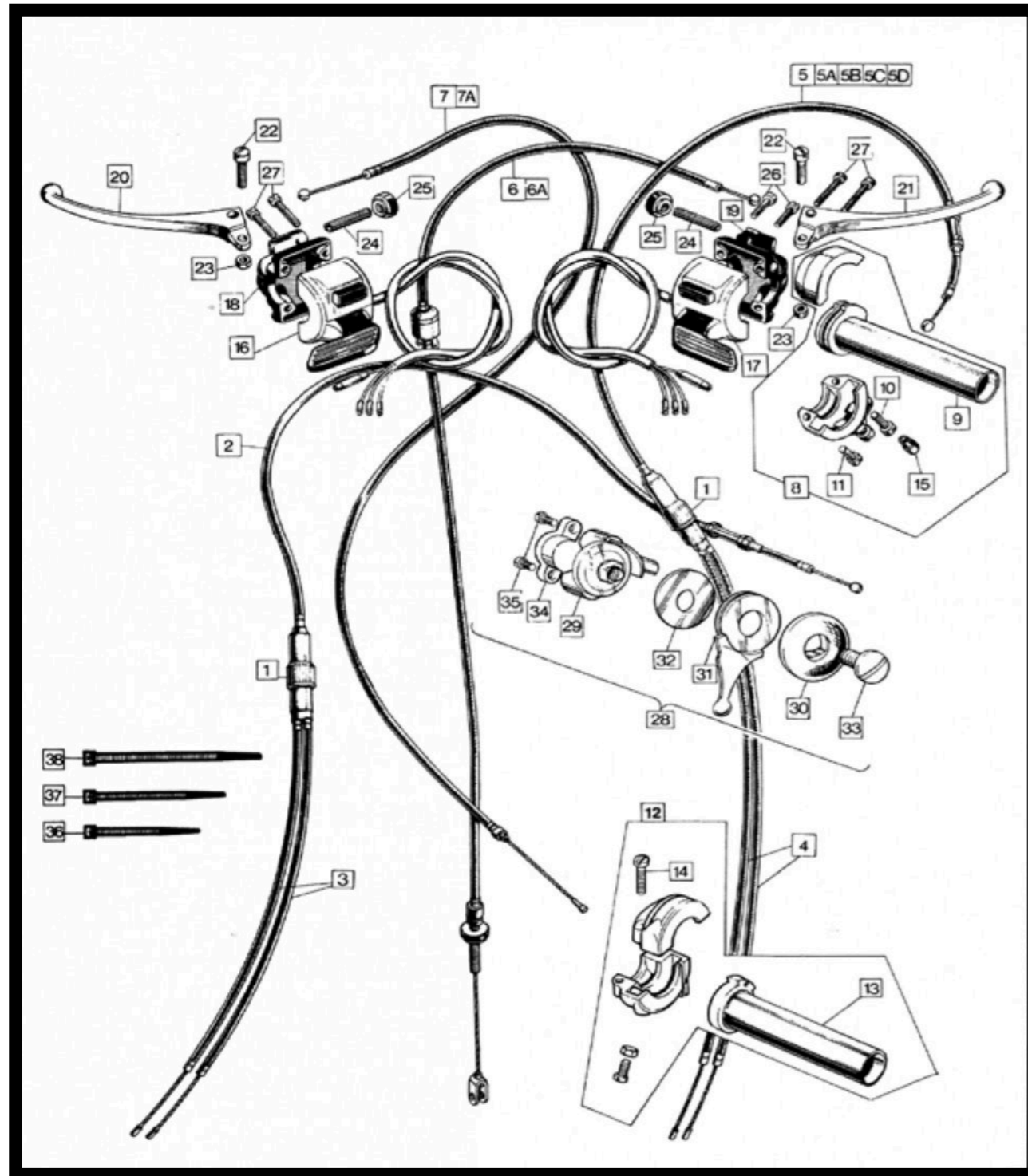


Hydraulic System - Rear Brake

	Description	Model	OEM Part No.	Wassell Part No.
1	Rear master cylinder complete (genuine Girling)	850	06-5776	WW27483
1	Rear master cylinder body and seals - stainless steel	850	99-9918	WW29029
1	Rear master cylinder reservoir	850	06-4397	WW38137
1	'O' ring seal reservoir to master cylinder body	850	06-4374	WW38136
1	Rear master cylinder seal kit MK3 (UK made)	850	19-4700	WW38195
2	Master cylinder cap	850	60-4365	WW38138
3	Rubber diaphragm cap seal	850	60-4366	WW27131
6	Bleed nipple 1/4" UNF	850	06-1929	WW28580
7	Stainless steel caliper piston rear MK3 (UK made)	850	06-1896	WW38155
8	Brake caliper seal kit rear MK3 (UK made)	850	06-4243	WW38160
9	Stainless steel caliper blanking plug MK3 rear (UK made)	850	06-2185	WW38154
10	Included in seal kit (see number 8)	850	06-4243	WW38160
16	Hydraulic brake switch (genuine Lucas)	850	06-1934	WW11032
18	Brake hose rear master to caliper (amoured)	850	06-6218	WW27141
18	Brake hose rear master to caliper MK3 (UK made)	850	06-6218	WW27130
21	Copper sealing washer 3/8"	850	06-2624	WW26978
22	'T' piece connector - brass	850	06-6088	WW28573

# CONTROLS

# Illustration Reference

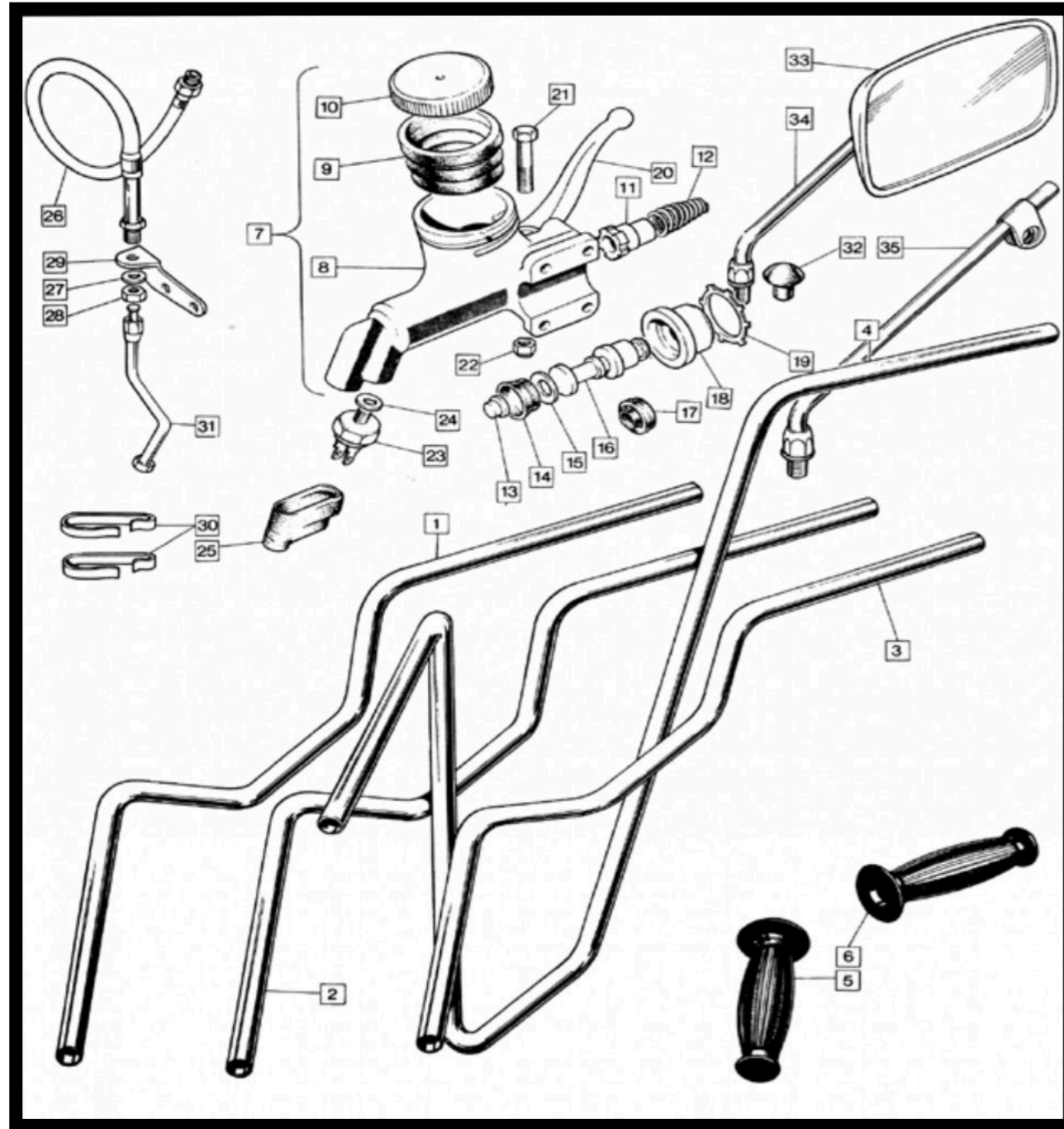


Controls & Control Cables

	Description	Model	OEM Part No.	Wassell Part No.
1	Junction box (plastic) 60-0685	750/850	01-9824	WW88003
1	Junction box (polished stainless steel) 60-0685	750/850	01-9824	WW88003SS
2	Air cable handlebar to junction 1968-72 19" outer length uk bars	750	03-1614	WW80272
2	Air cable handlebar to junction 1970-73 (western bars)	750/850	06-1451	WW80336
3	Air cable junction to carb	750/850	03-3144	WW80275
4	Throttle cable junction to carb 1968-73	750/850	03-3145	WW80289
5	Throttle cable handlebar to junction 1968-70	750	06-0923	WW80272
5	Throttle cable handlebar to junction 1971-73 26" outer length	750/850	06-1451	WW80336
6	Front brake cable 1968-70	750	06-0924	WW80545
6	Front brake cable 1970-73 (with stop switch)	750	06-4291	WW80547
6	Replacement Stop switch for front brake cable	750	60-2085	WW27402
7	Clutch cable roadster 1968-70	750	06-0930	WW80774
7	Clutch cable roadster 1970-73	750/850	06-2492	WW80776
8	Twistgrip 364 type 7/8" fitting (EMGO)	750/850	06-2032	WW83217R
15	Cable stop	750/850	02-6476	WW81607 PK25
20	Clutch lever blade 06-2249 (EMGO)	750/850	06-2702	WW83050
20	Clutch lever assembly 1968-70 models	750	06-0691	WW83020
21	Brake lever blade 60-2628 (EMGO)	750/850	06-2553	WW83049
21	Combination brake/air lever 1968-70 models	750	06-0690	WW83021
24	Brake/clutch lever adjuster (EMGO)	750/850	06-2027	WW83098
28	Complete air lever assembly R/H 7/8" fitting (EMGO)	750/850	06-2535	WW83005

# HANDLEBARS & MASTER CYLINDER

# Illustration Reference

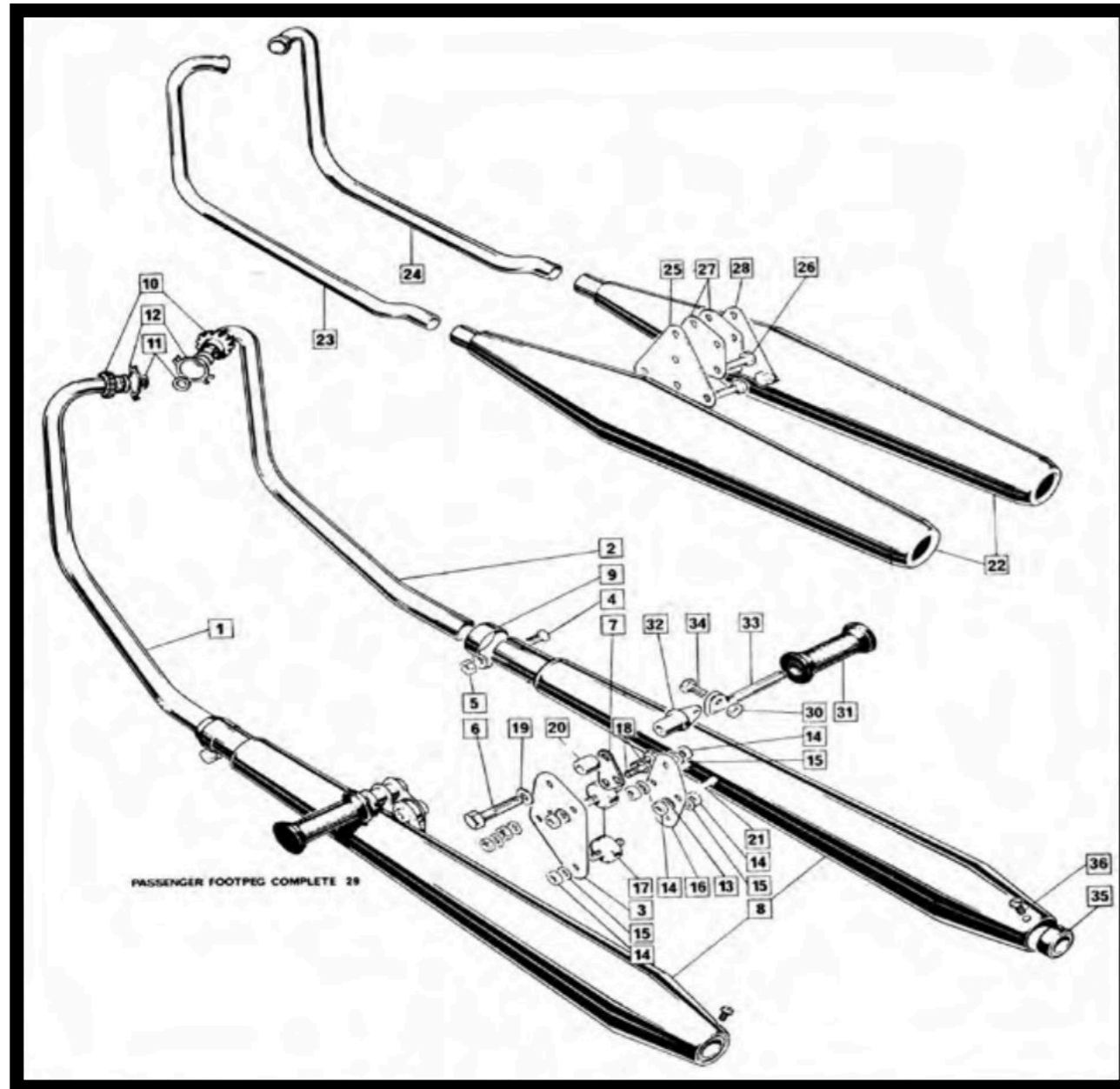


Handlebars, Disc Brake Master Cylinder & Hose Group

	Description	Model	OEM Part No.	Wassell Part No.
1	Handlebar USA models chrome (EMGO)	750/850	06-1046	WW84062
1	Handlebar USA models polished stainless (EMGO)	750/850	06-1046	WW84062SS
2	Handlebar UK/Euro models chrome (EMGO)	750/850	06-4132	WW84045
2	Handlebar UK/Euro models polished stainless (EMGO)	750/850	06-4132	WW84045SS
3	Handlebar Atlas/early Commando chrome (EMGO)	750	06-7803	WW84186
3	Handlebar Atlas /early Commando polished stainless (EMGO)	750	06-7803	WW84186SS
5	Handlebar grips Beston type (OGK Japan)	750/850	06-7093	WW84040
5	Handlebar grips Beston type (EMGO)	750/850	06-7093	WW84041
5	Handlebar grips (alternative) Doherty type ribbed (Ariete)	750/850	02-3320	WW84039
5	Handlebar grips (alternative) classic Amal replica type	750/850		WW84042
11	Valve assembly (supplied in seal kit)	750/850	06-1944	WW38159 kit
15	Piston washer (supplied in seal kit)	750/850	06-1943	WW38159 kit
17	Secondary cup seal (supplied in seal kit)	750/850	06-1945	WW38159 kit
18	Boot seal (supplied in seal kit)	750/850	06-1941	WW38159 kit
21	Pivot bolt 1/4" UNF X 1-1/4"	750/850	06-2184	WW04083 PK25
22	Nut 1/4" UNF self locking	750/850	14-1201	WW04173 PK25
23	Genuine Lucas hydraulic brake switch	750/850	06-1934	WW11032
26	Front brake hose handlebar to fork yoke 14" (UK made)	750/850	06-6235	WW27128
26	Front brake hose fork yoke to slider 7" (UK made)	750/850	06-6243	WW27126
26	Brake hose pre MK3 - 24"	750/850	06-3508	WW27140
26	Brake hose pre MK3 - 26"	750/850	06-2707	WW27139
26	Brake hose pre MK3 - 29"	750/850	06-3507	WW27138
26	Brake hose pre MK3 - 33"	750/850	06-3541	WW27137
26	Brake hose pre MK3 - 35"	750/850	06-3540	WW27136
33	Mirror head (UK made)	750/850	06-4102	WW85016
34	Mirror complete (UK made)	750/850	06-4102/3	WW85007

# EXHAUSTS & REAR FOOT PEGS

# Illustration Reference

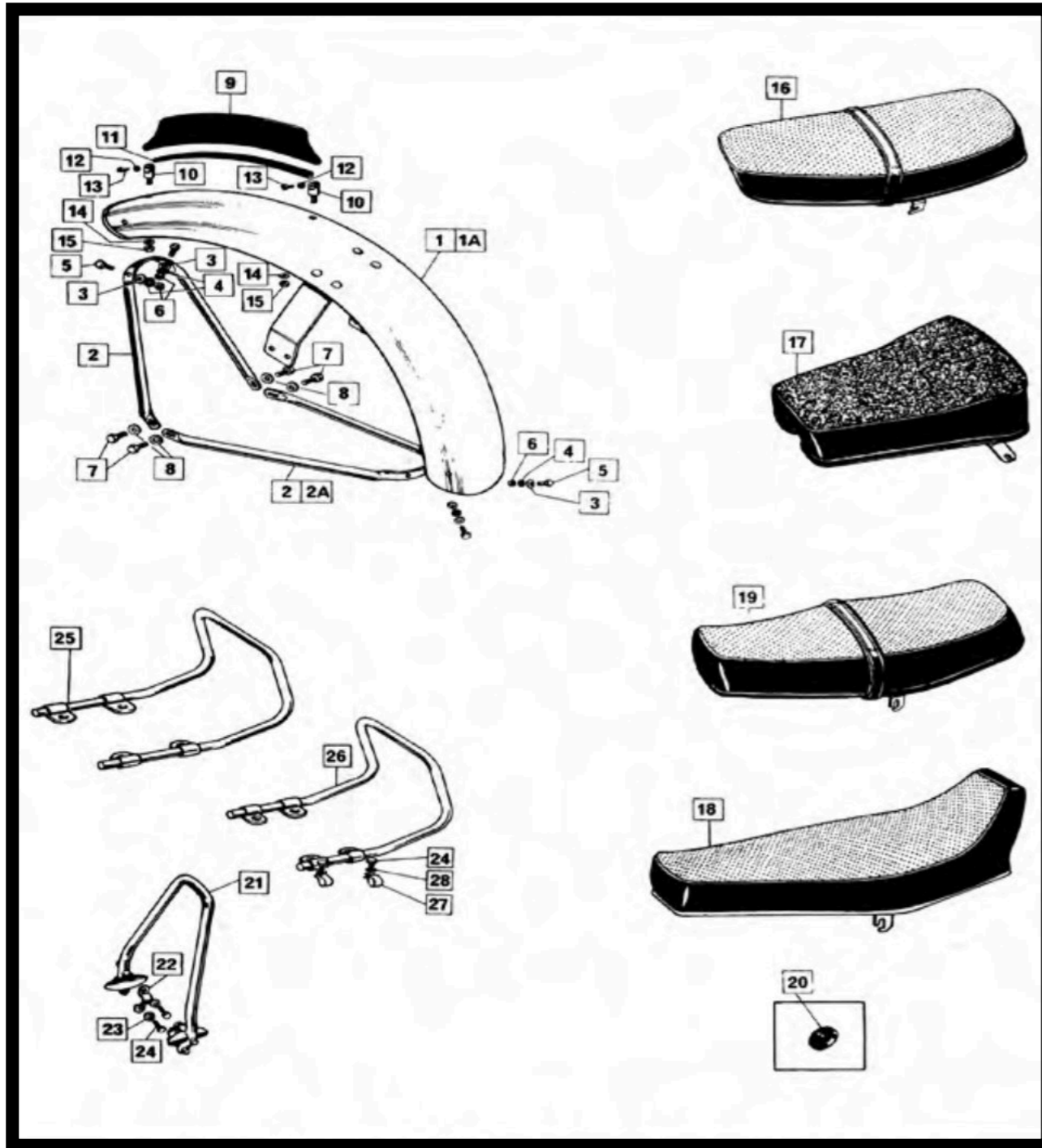


Exhausts, Muffler, Mutes & Passenger Foot Pegs

Description	Model	OEM Part No.	Wassell Part No.
1 Exhaust pipe set roadster (EMGO)	750	06-3375/76	WW93020
3 Silencer mounting bracket stainless steel (UK made)	750/850	06-1720	WW27117
4 Hex bolt 5/16" UNF X 1-1/4"	750/850	06-7847	WW04095 PK25
5 Nut 5/16" UNF	750/850	14-0302	WW04162
6 Hex bolt 3/8" UNF X 1-1/2"	750/850	06-0618	WW04109 PK25
7 Pillion footrest support bracket stainless steel (UK made)	750/850	06-1722	WW27112
8 Silencer Roadster (EMGO)	750/850	06-1978	WW96054E
9 Silencer clamp chrome D washer type	750/850	06-1328	WW93099
10 Exhaust rose pre 72 stainless steel (UK made)	750	06-2464	WW50202
10 Exhaust rose 850 3/4" thread length stainless steel (UK made)	850	06-3555	WW29023
10 Exhaust rose MK3 5/8" thread length stainless steel (UK made)	850	06-3988	WW29050
11 Exhaust sealing washer 06-3253	750/850	06-3995	WW26003
12 Exhaust nut lock washer	750/850	06-0395	WW26002 PK10
14 Nut 5/16" UNF	750/850	14-0302	WW04162 PK25
15 Plain washer 5/16"	750/850	60-2321	WW04055 PK100
16 Silencer bracket stainless steel (UK made)	750/850	06-1721	WW27118
17 Rubber mounting bobbin 06-6282 (EMGO)	750/850	06-0622	WW26299
19 Plain washer 3/8"	750/850	60-2322	WW04056 PK100
20 Spacer tube stainless steel (UK made)	750/850	06-0471	WW27111
26 Hex set screw 5/16" x 5/8"	750/850	14-0113	WW04135 PK25
30 Nut 1/4" UNF	750/850	14-0301	WW04161 PK25
31 Pillion footrest rubber	750/850	04-2569	WW71027
31 Pillion footrest rubber (also supplied in rubber kit)	750/850	04-2569	WW71119 kit
34 Hex set screw 5/16" UNF	750/850	06-1798	WW04137 PK25

# FRONT FENDER & SEATS

# Illustration Reference



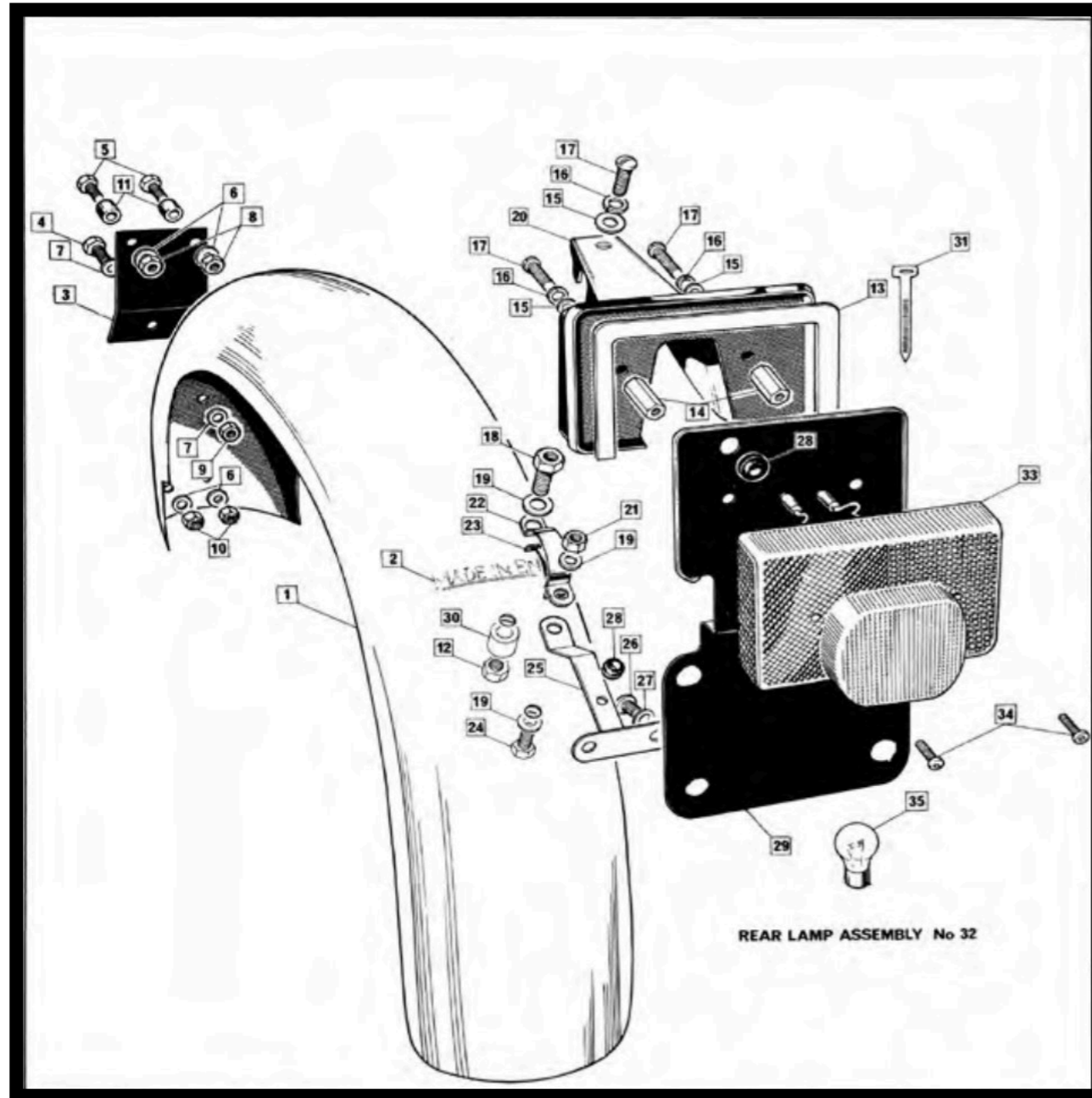
Front Fender, Number Plate & Seats

Description	Model	OEM Part No.	Wassell Part No.
<b>2</b> Front fender stay polished stainless steel	750/850	06-2323	<b>WW26799</b>
<b>3</b> Plain washer 1/4"	750/850	60-2391	<b>WW04054 PK100</b>
<b>4</b> Spring washer 1/4"	750/850	00-0190	<b>WW04068 PK100</b>
<b>5</b> Hex set screw 1/4" UNF x 3/4"	750/850	06-0677	<b>WW04127 PK25</b>
<b>6</b> Nut 1/4" UNF	750/850	06-7797	<b>WW04173 PK25</b>
<b>7</b> Hex set screw 5/16" UNF X 1/2"	750/850	06-0357	<b>WW04133 PK25</b>
<b>8</b> Plain washer 5/16"	750/850	60-2321	<b>WW04055 PK100</b>
<b>16</b> Dual seat Roadster MK11	750/850	06-3676	<b>WW78003</b>
<b>16</b> Dual seat Roadster MK3	850	06-5612	<b>WW78004</b>
<b>18</b> Dual seat Interstate MK11	750/850	06-3677	<b>WW78024</b>
<b>18</b> Dual seat Interstate MK3	850	06-5613	<b>WW78005</b>
Dual seat hinge kit MK3 models (4pc kit) 06-6350/53/54/57	850		<b>WW26310 kit</b>



# REAR FENDER & TAIL SECTION

# Illustration Reference

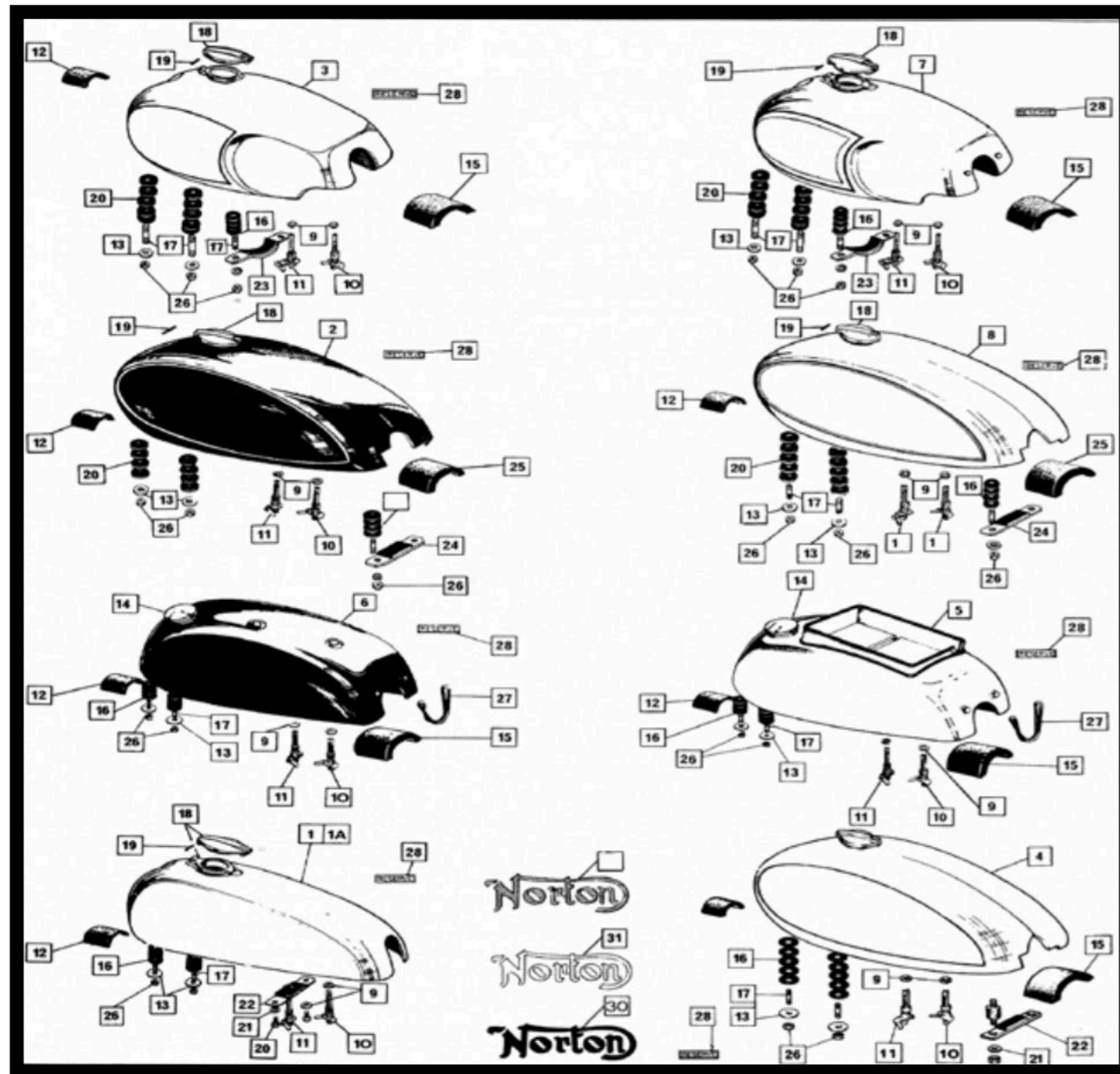


Rear Fender, Tail Light & Tail Section

Description	Model	OEM Part No.	Wassell Part No.
<b>2</b> Made in England decal	750/850	03-5073	WW49277
<b>4</b> Hex set screw 5/16" UNF X 3/4"	750/850	14-0114	WW04136 PK25
<b>5</b> Hex set screw 1/4" UNF X 1"	750/850	14-0105	WW04129 PK25
<b>6</b> Plain washer 1/4"	750/850	60-2320	WW04054 PK25
<b>7</b> Plain washer 5/16"	750/850	60-2321	WW04055 PK25
<b>8</b> Nut 1/4" UNF	750/850	14-0301	WW04161 PK25
<b>9</b> Nut 5/16" UNF	750/850	14-0302	WW04162 PK25
<b>10</b> Nut self locking 1/4" UNF	750/850	14-1201	WW04168 PK25
<b>16</b> Spring washer 3/16"	750/850	60-2416	WW04067 PK100
<b>19</b> Plain washer 5/16"	750/850	60-2321	WW04055 PK25
<b>21</b> Nut 5/16" UNF	750/850	14-0302	WW04162 PK25
<b>24</b> Hex set screw 5/16" UNF X 5/8"	750/850	14-0113	WW04135 PK25
<b>26</b> Hex set screw 1/4" UNF X 1/2"	750/850	14-0101	WW04125 PK25
<b>27</b> Plain washer 1/4"	750/850	60-2320	WW04054 PK25
<b>33</b> Rear light lens replica 917 type (EMGO)	750/850	06-8028	WW10087
<b>33</b> Rear light lens 917 type (genuine Lucas)	750/850	06-8028	WW10087L
<b>33</b> Complete rear lamp assembly 917 type (EMGO)	750/850	06-8058	WW19044
<b>33</b> Complete rear lamp assembly 917 type genuine Lucas	750/850	06-8058	WW19044L
<b>35</b> Stop tail bulb 12 volt (LUCAS sold in packs of 10)	750/850	99-0542	WW13049L PK10
<b>35</b> Stop tail bulb 12 volt LED special for 917 rear lamp	750/850	99-0542	WW13101

# FUEL TANKS

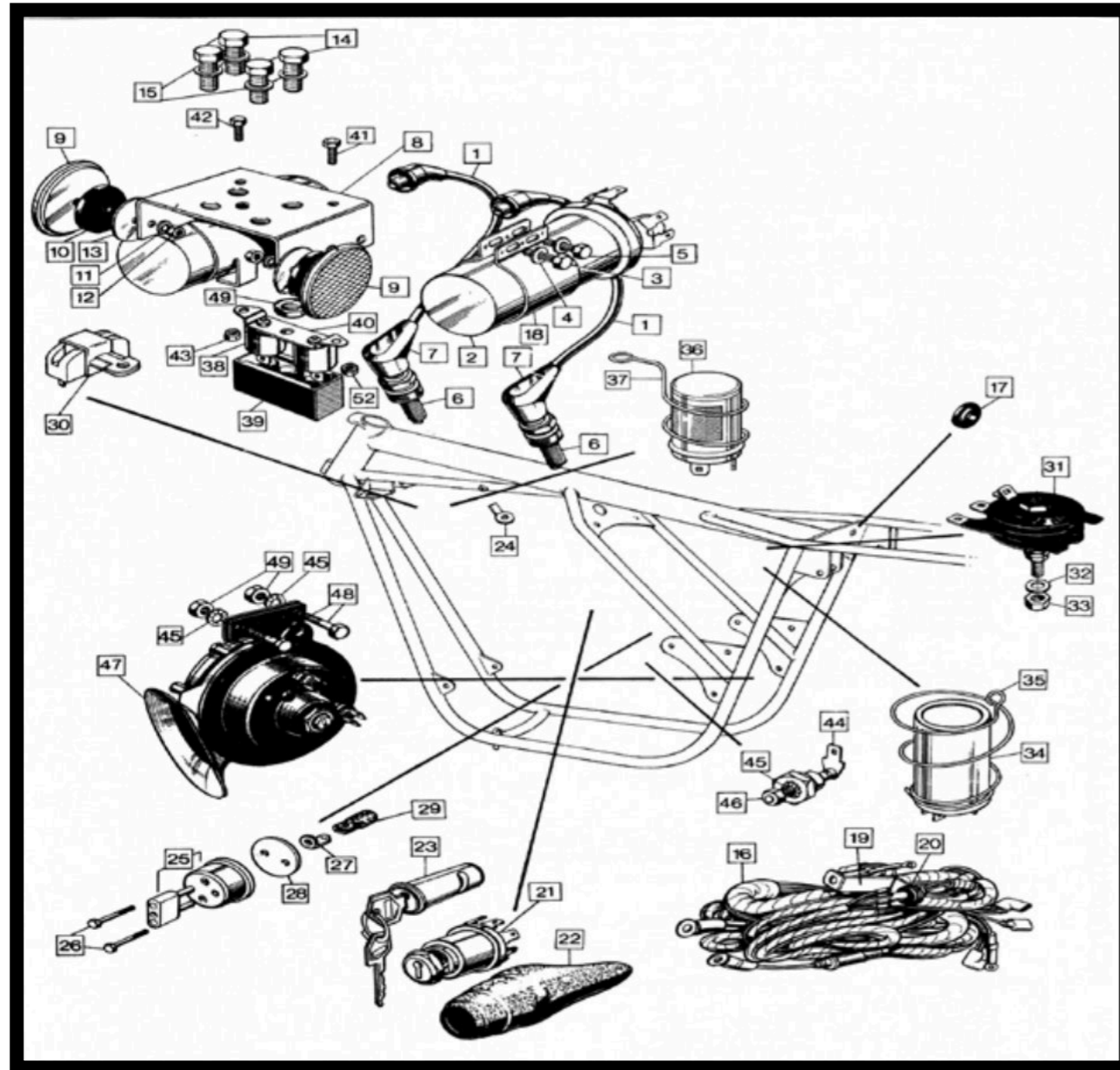
# Illustration Reference



Fuel Tanks

Description	Model	OEM Part No.	Wassell Part No.
<b>6</b> Roadster fuel tank raw steel (EMGO)	750/850	06-2701	<b>WW61332</b>
<b>9</b> Fibre sealing washer 1/4" BSP	750/850	00-0183	<b>WW73116 PK10</b>
<b>9</b> Dowty sealing washer 1/4" BSP	750/850	00-0183	<b>WW04073 PK0</b>
<b>10</b> Fuel tap reserve (EMGO)	750/850	03-1746	<b>WW73092</b>
<b>10</b> Fuel tap reserve MK3 with indicator plate (EMGO)	850	60-4512	<b>WW73096</b>
<b>11</b> Fuel tap Main (EMGO)	750/850	03-3155	<b>WW73091</b>
<b>11</b> Fuel tap Main MK3 with indicator plate (EMGO)	850	60-4511	<b>WW73095</b>
<b>11</b> Fuel tap BAP main (late MK3)	750/850	60-7266	<b>WW27728</b>
<b>11</b> Fuel tap BAP reserve (late MK3)	750/850	60-7267	<b>WW27729</b>
<b>15</b> Fuel tank buffer rubber	750/850	NM16327	<b>WW61138</b>
<b>18</b> Fuel cap with roll pin (Ceandess UK)	750/850	06-0681	<b>WW72030</b>
<b>19</b> Roll pin supplied with cap	750/850	06-0882	
<b>20</b> Hex set screw 5/16" UNF X 5/8"	750/850	14-0113	<b>WW04135 PK25</b>
<b>21</b> Plain washer 5/16"	750/850	60-2321	<b>WW04055 PK100</b>
<b>26</b> Nyloc nut 5/16" UNF	750/850	14-1902	<b>WW04177 PK25</b>
Fastback tank badge	750	06-0499	<b>WW28128</b>

# ELECTRICAL COMPONENTS



Basic Electrical Components

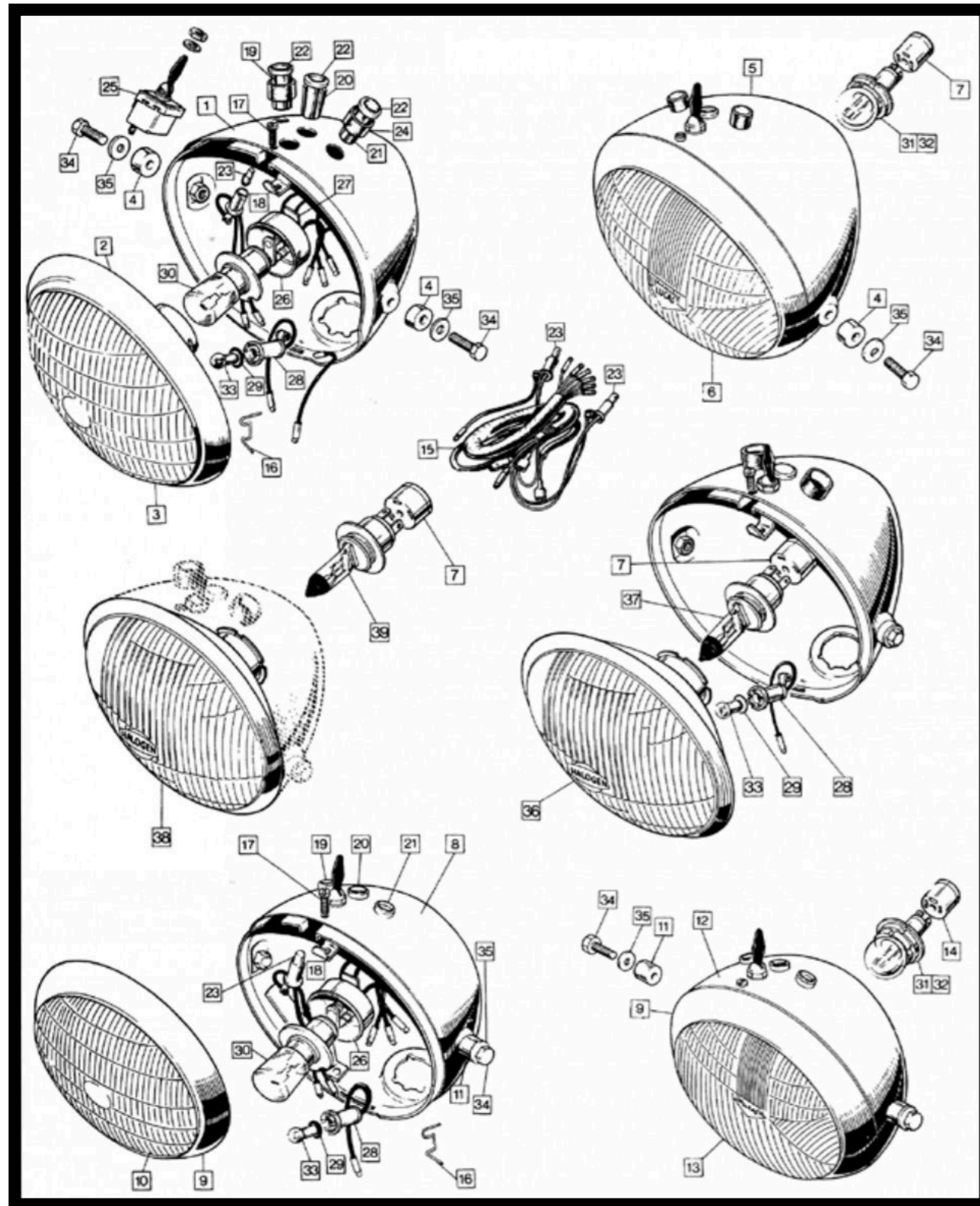
## Illustration Reference

Description	Model	OEM Part No.	Wassell Part No.
2 Ignition coil (genuine Lucas 6 volt) 06-2092	750/850	99-0576	WW19375L
2 Ignition coil (genuine Lucas 6 volt oil filled) 06-2092	750/850	99-0576	WW19384
3 Hex set screw 1/4" UNF X 3/4"	750/850	14-0103	WW04127 PK25
4 Plain washer 1/4"	750/850	60-2320	WW04054 PK100
6 Spark plug N7YC (Champion)	750/850	06-2348	WW10311 PK10
6 Spark plug BP7ES (NGK)	750/850	06-2348	WW34056 PK10

Description	Model	OEM Part No.	Wassell Part No.
9 Amber reflector 06-2008	750/850	99-1161	WW19140
11 Spring washer 3/16"	750/850	60-2416	WW04067 PK100
14 Hex set screw 1/4" X 5/8"	750/850	14-0102	WW04126 PK25
15 Plain washer 1/4"	750/850	60-2320	WW04054 PK100
16 Main wiring harness 1968-69 (genuine Lucas braided)	750	06-7264	WW19124
16 Main wiring harness 1970-74 (genuine Lucas braided)	750/850	06-8069	WW19082
16 Main wiring harness MK3 (genuine Lucas braided)	850	06-6396	WW19132
16 Ignition sub harness MK3 (genuine Lucas)	850	06-6242	WW19161
16 Brake switch sub harness MK3 (genuine Lucas)	850	06-6033	WW19296
18 Ignition coil clamp	750/850	99-1151	WW10068
21 Master switch (genuine Lucas)	750/850	06-6395	WW10164
23 Ignition lock & keys (genuine Lucas)	750/850	03-3044	WW10145
25 Accessory plug and socket	750/850	06-2666	WW26165
30 Ballast resistor	750/850	06-2098	WW10067
31 Rectifier (genuine Lucas positive earth)	750/850	02-5916	WW10135
31 Solid state bridge rectifier	750/850	06-5916	WW10134
31 Rectifier /regulator solid state single phase	750/850		WW10123W
31 Rectifier /regulator solid state single phase (Lucas)	750/850		WW10123L
31 Rectifier /regulator single phase high output (Podtronics)	750/850		WW10121
32 Plain washer 1/4"	750/850	60-2320	WW04054 PK100
33 Nut 1/4" UNF	750/850	14-0301	WW04161 PK25
34 Capacitor 2MC replacement	750/850	99-0737	WW10045
35 Capacitor spring to fit OEM capacitor	750/850	06-1628	WW26506
37 Warning light mounting spring	750/850	06-3909	WW26458
38 Condenser (genuine Lucas) 06-2248	750/850	99-1043	WW10043
39 Rubber cover for condenser pack	750/850	99-0767	WW61085
44 Zenor diode (NLA) use rectifier/regulator to replace	750/850		
46 Nut 1/4" UNF	750/850	14-0301	WW04161 PK25
48 Hex set screw 1/4" UNF X 1"	750/850	14-0105	WW04129 PK25
49 Nut 1/4" UNF Nylock	750/850	14-1901	WW04176 PK25

# HEAD LIGHTS & FITTINGS

# Illustration Reference

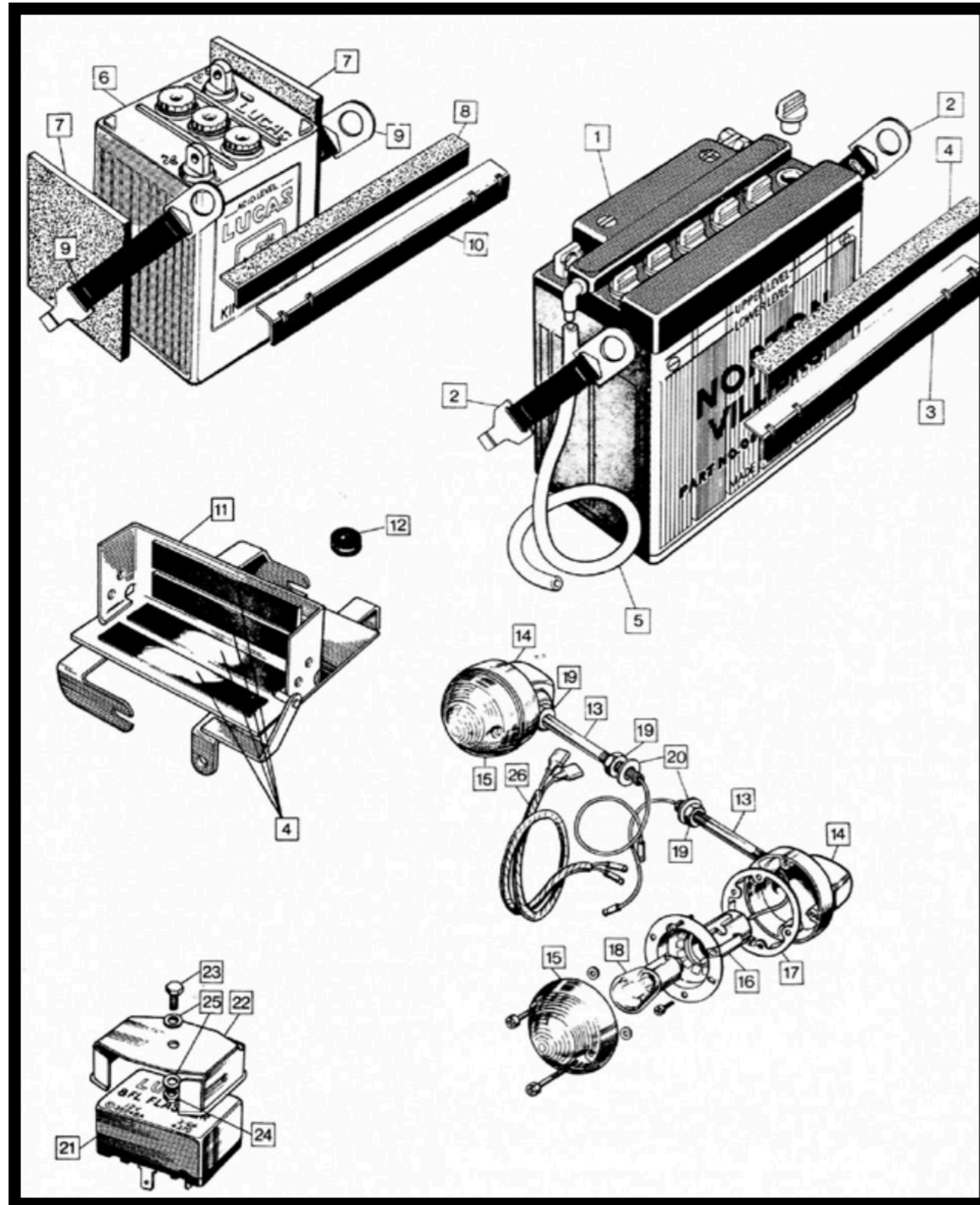


Head Lights & Head Light Fittings

	Description	Model	OEM Part No.	Wassell Part No.
1	Headlamp shell 3 W/L & 1 SW single grommet (genuine Lucas)	750/850	99-1155	WW10149L
2	Headlamp outer rim chrome (genuine Lucas)	750/850	99-0692	WW19015
3	Headlamp beam unit BPF with pilot early 750 models	750		WW11056
3	Headlamp unit 7" (genuine Lucas) H4 bulb with pilot UK lens	750/850	06-8052	WW50201
4	Headlamp mounting spacer stainless steel	750/850	06-2035	WW28405S
5	Headlamp shell 3 W/L & 1 SW single grommet (genuine Lucas)	750/850	99-1155	WW10149L
6	Headlamp unit 7" (genuine Lucas) H4 bulb with pilot USA Euro	750/850	06-8053	WW50209
7	H4 Bulb connector (WIPAC)	750/850	06-8033	WW13122
9	Headlamp outer rim 5-3/4" (genuine Lucas) SS & high rider	750/850	99-0691	WW19018
10	Headlamp unit 5-3/4" (genuine Lucas) H4 bulb UK lens	750/850		WW50212
14	H4 Bulb connector (WIPAC)	750/850	06-8033	WW13122
15	Headlamp wiring harness 1970-74 (genuine Lucas)	750/850	06-8067	WW19106C
15	Headlamp wiring harness MK3 (genuine Lucas)	850	06-6438	WW19133
16	Headlamp W clip (genuine Lucas pk 5)	750/850	99-0683	WW19012L
17	Headlamp rim fixing screw (sold with catch)	750/850	99-1189	WW19016
18	Headlamp rim catch (sold with screw)	750/850	99-0690	WW19016
19	Warning light Amber (genuine Lucas) 06-6426	750/850	99-1207	WW10153
20	Warning light Red (genuine Lucas) 06-6424	750/850	99-1208	WW10154
20	Warning light Red prism lens 1968-69 (genuine Lucas)	750	99-0568	WW10451
21	Warning light Green (genuine Lucas) 06-6425	750/850	99-1209	WW10155
23	Warning light bulb 12v 2w (genuine Lucas)	750/850	99-0537	WW13082L
23	Warning light bulb 12v LED (genuine Lucas)	750/850	99-0537	WW13096
25	Lighting switch 2 position (genuine Lucas 31780)	750/850	06-8024	WW10113
26	Pilot bulb holder (genuine Lucas)	750/850	99-1213	WW13124
30	British pre focus headlamp bulb 12v	750/850	06-8019	WW13017L PK10
30	British pre focus headlamp bulb LED replacement	750/850	06-8019	WW13090
31	Headlamp bulb P45T 12v (genuine Lucas pk10)	750/850	06-8020	WW13019L PK10
31	Headlamp bulb P45T LED replacement	750/850	06-8020	WW13098
33	Pilot bulb 12v 4w (genuine Lucas)	750/850	99-0548	WW13033L
33	Pilot bulb BA9 LED replacement	750/850	99-0548	WW13094 PK10
34	Headlamp bolt 7/16" UNF	750/850	99-1157	WW28482
36	Headlamp unit 7" (genuine Lucas) H4 bulb with pilot UK lens	750/850	06-8052	WW50201
38	Headlamp unit 7" (genuine Lucas) H4 bulb with pilot USA Euro	750/850	06-8053	WW50209
39	Headlamp bulb H4 60/55W (genuine Lucas pk10)	750/850	06-8022	WW13023L PK10
39	Headlamp bulb H4 LED replacement	750/850	06-8022	WW13097

# BATTERIES & INDICATORS

# Illustration Reference

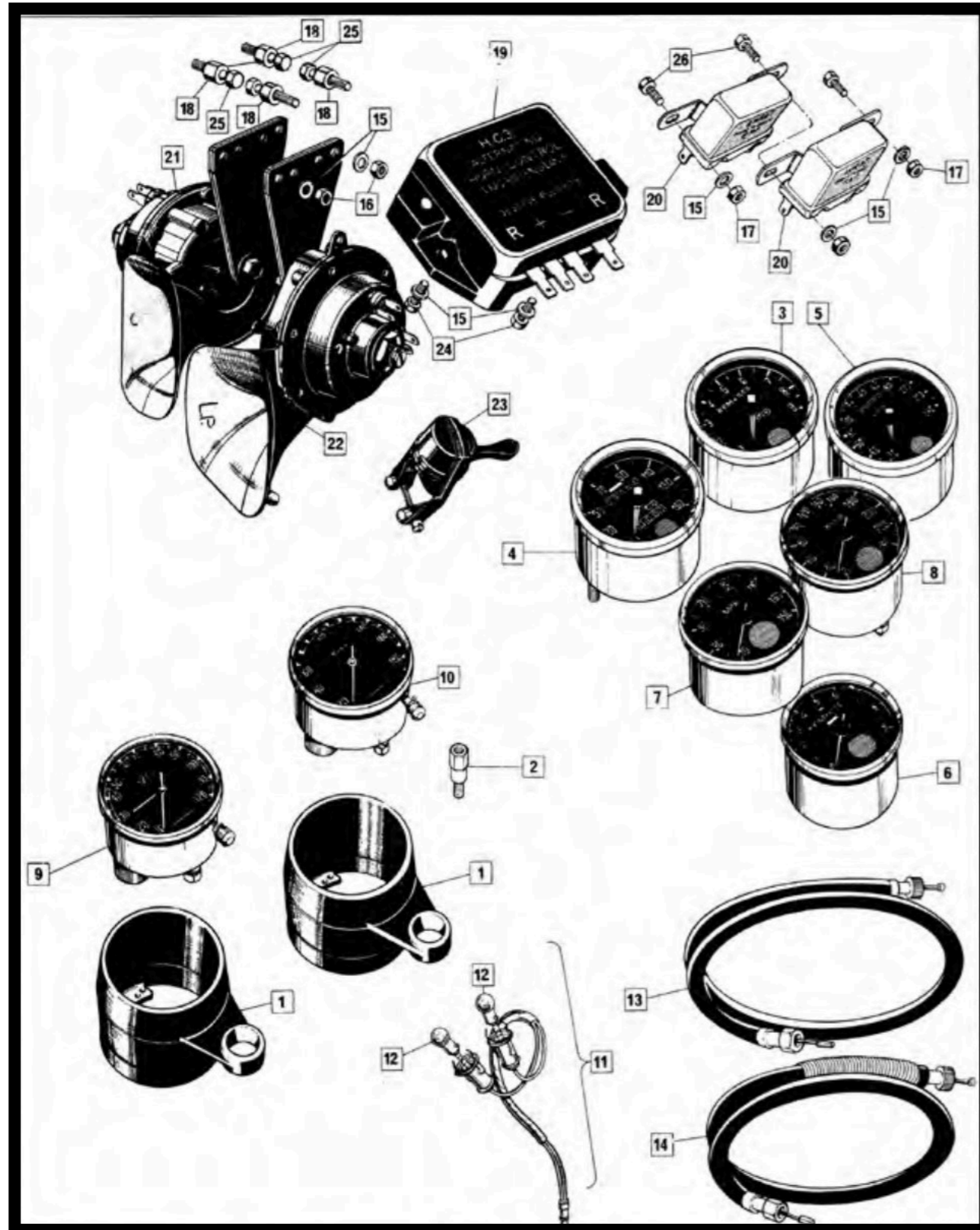


	Description	Model	OEM Part No.	Wassell Part No.
1	Battery 12 volt 9AH 750/850 pre MK3 (genuine Lucas)	750/850	06-3244	WW09166L
1	Battery 12 volt 14AH MK3 Models (genuine Lucas)	850	06-6515	WW09094L
14	Indicator complete short stem (EMGO) sold in pairs	750/850	99-1190	WW10170
14	Indicator complete short stem (genuine Lucas) sold in pairs	750/850	99-1190	WW10057
14	Indicator complete long stem (EMGO) sold in pairs	750/850	99-1190	WW10171
14	Indicator complete long stem (genuine Lucas) sold in pairs	750/850	99-1190	WW10151
15	Indicator lens pattern	750/850	99-1191	WW10058
15	Indicator lens (genuine Lucas)	750/850	99-1191	WW10058L
18	Turn signal bulb LED replacement	750/850	99-1192	WW13100
19	Nut 7/16" UNF	750/850	06-3089	WW04164 PK25
20	Spring washer 7/16"	750/850	60-2430	WW04071 PK25
21	Flasher unit pattern 06-2045	750/850	99-1201	WW10059
21	Flasher unit genuine Lucas 35048 (06-2045)	750/850	99-1201	WW10059L
21	Flasher unit for LED turn signal bulbs Lucas 35048 (06-2045)	750/850	99-1201	WW10059E

Batteries, Battery Tray & Direction Indicators

# INSTRUMENTS & HORNS

# Illustration Reference



Instruments & Horns

	Description	Model	OEM Part No.	Wassell Part No.
6	Tachometer (EMGO) 4-1 black face stud mounting pre MK3	750/850	06-2279	WW26678
6	Tachometer (EMGO) 4-1 black face Veglia replacement MK3	850	06-5874	WW26663
7	Speedometer (EMGO) MPH 1.25-1 black face pre MK3	750/850	06-2277	WW26676
7	Speedometer (EMGO) MPH 1.25-1 Veglia replacement MK3	850	06-5875	WW26664
8	Speedometer KMH 1.25-1 black face stud mounting pre MK3	750/850	06-2278	WW26676K
8	Speedometer (EMGO) KMH 1.25-1 Veglia replacement MK3	850	06-5876	WW26664K
11	Bulb holder for Smiths speedometer/tachometer (Lucas)	750/850	06-2086	WW13124
11	Bulb holder for Emgo speedometer/tachometer	750/850	06-2086P	WW26679
11	Bulb holder for genuine Smiths clock	750/850	06-2086	WW13124
12	Bulb BA9S for instrument illumination	750/850	19-1167	WW13084L PK10
12	Bulb BA9S LED replacement for instrument illumination	750/850	19-1167	WW13094 PK10
13	Speedometer cable (EMGO)	750/850	06-7904	WW82034
14	Tachometer cable (EMGO)	750/850	06-1118	WW82107
20	Horn relay Mk3 (genuine Lucas)	850	99-1227	WW10119
23	Handlebar dip switch MK3 Police (genuine Lucas)	850	99-1232	WW10112
25	Hex set screw 1/4" UNF X 1"	850	14-0105	WW04129 PK25

# NORTON COMMANDO SERVICE TOOLS

# Illustration Reference



	Description	Model	OEM Part No.	Wassell Part No.
1	Points oil seal taper tool	750/850		WW61516
2	Clutch diaphragm spring compressor	750/850		WW24008
3	Exhaust rose C spanner	750/850		WW29006
4	Chaincase cap removal tool slot to hex for socket bar	750/850		WW61520
5	Chaincase cap tool double sided slotted bar	750/850		WW61525
6	Caliper plug removal tool pins to hex for socket bar	750/850		WW61512
7	Rocker spindle removal tool	750/850		WW61532
8	Crankshaft timing pinion removal tool 3 jaw type	750/850		WW61527